

HAYWARD®

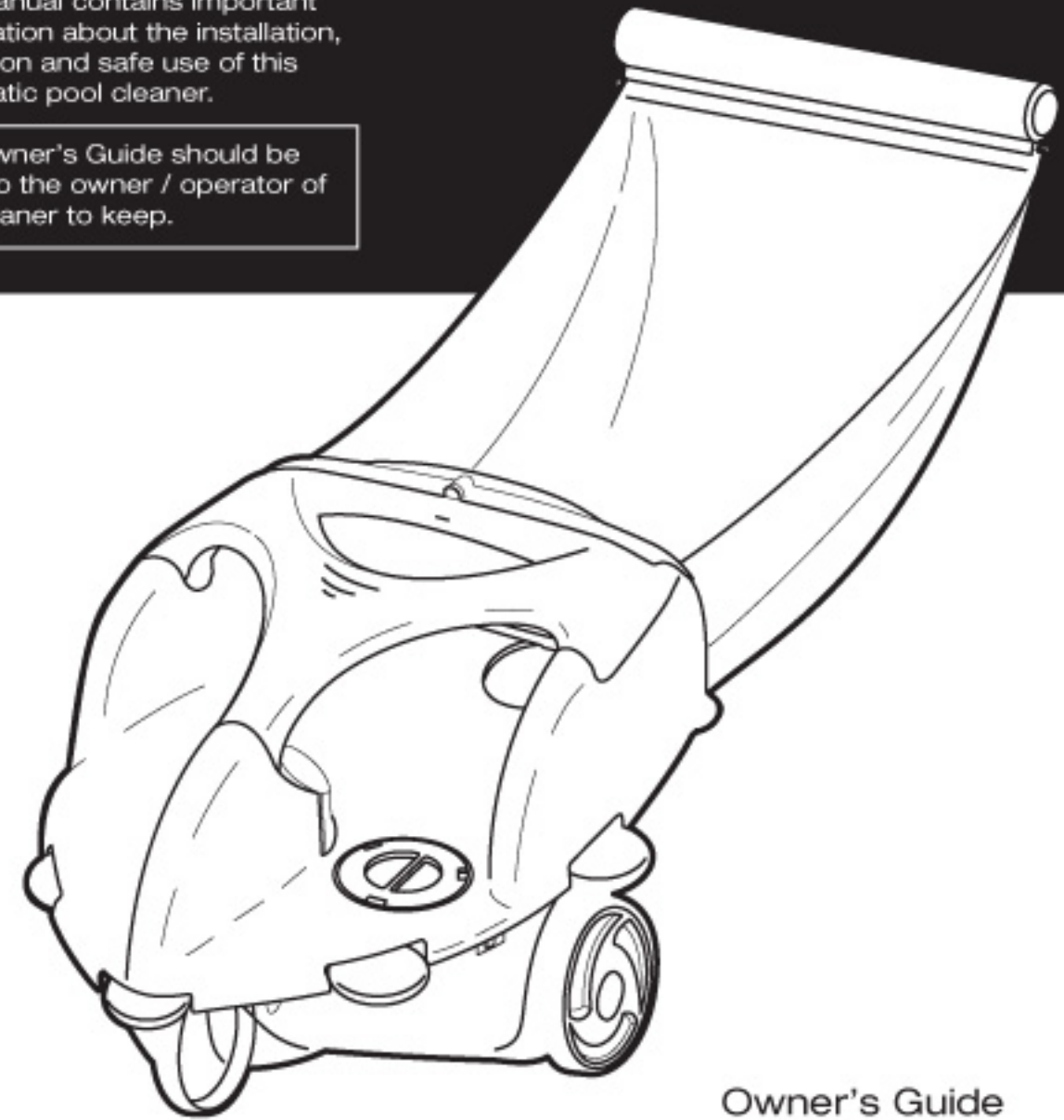
PHANTOM™

The Only **Total** Pool Cleaner

Attention Installer:

This manual contains important information about the installation, operation and safe use of this automatic pool cleaner.

This Owner's Guide should be given to the owner / operator of this cleaner to keep.



**Owner's Guide
Model 6000**

- Important Safety Instructions
- Installation Instructions
- Parts List
- Warranty Registration Card
- Warranty

HAYWARD®
PHANTOM™
The Only **Total** Pool Cleaner

Hayward Pool Products, Inc.

2875 Pomona Blvd.
Pomona, CA 91768

Phone: (800) 227-1477

www.haywardnet.com

Important Safety Instructions

Warning

Read this entire Owner's Guide before assembling and installing the Phantom cleaner. Failure to follow safety warnings and Owner's Guide instructions can result in severe injury, death or property damage.
For additional free copies of the Owner's Guide you can download them from www.haywardnet.com or call (800) 227-1477.

Warning - Risk of Electrical Shock

The Hayward Phantom Automatic Pool Cleaner is designed to connect to a threaded 1-1/2 inch female pipe fitting on a dedicated return line that is powered by a 3/4 H.P. Booster Pump. You should have a licensed electrician install the cleaner's booster pump. **The Booster Pump must be installed in accordance with the National Electrical Code and all local code requirements. Failure to do so can result in serious injury or death.**

Warning - Risk of Injury

Failure to follow the safety warnings below may result in severe injury, death or property damage.

- Always disconnect and remove the cleaner and pressure hose before entering the pool.
- Disconnect the Safety Rope that separates the pool's shallow end from the pool's deep end, before running the Phantom. Always reconnect the Safety Rope before entering the pool.
- Always handle with care. Do not let children or pets play with the cleaner; it is not a toy.
- Always turn the Booster Pump **OFF** before handling the cleaner.
- Do not operate outside the pool. The Phantom Cleaner and hoses contain high-pressure water jets that may cause injury.
- Disconnect pressure hose from the universal wall fitting before removing the cleaner from the pool.
- **Never** point any of the cleaner's high-pressure jets, pressure hose, pressure gauge or sweep hose at any person or pet.

Important Information

Caution - Risk of Equipment Damage

- Always turn the Filtration Pump on **before** turning the booster pump on. Running the booster pump dry will damage the booster pump and is not covered by the Hayward warranty.

- Always disconnect and remove the Phantom cleaner and hoses from the pool before cleaning or backwashing the pool filter.
- After cleaning or backwashing the pool filter, allow the filtration system to run for a minimum of five minutes or until all debris has been flushed from plumbing lines before reconnecting the Phantom cleaner.
- New plumbing lines must be flushed out before connecting the Phantom cleaner.
- The Phantom cleaner should not be used to remove plaster dust or construction debris from new or renovated pools.
- The Phantom cleaner should not be used to remove excessive sand (dense debris) following wind or sandstorms.
- Always disconnect and remove the Phantom cleaner and hoses before chemically shocking the pool.
- Only operate the Phantom cleaner for the period of time necessary to clean the pool. Excessive use is unnecessary and will cause cleaner parts to prematurely wear.
- Regularly inspect the cleaner and hoses; do not use if damaged or if any rough edges are visible on the cleaner; this can cause damage to the pool.
- Lift the Phantom cleaner by its wing (Part A, page 4), never by the hose or bag.

Disclaimer

- Pool plaster is affected by age, water chemistry, etc.
- Pool plaster can deteriorate over time.
- The integrity of "good" pool plaster is such that a pool vacuum cleaner – automatic or manual – cannot remove the plaster.
- The integrity of "good" pool plaster is such that the plaster will cause wear on the cleaner, the cleaner will not wear out "good" pool plaster.
- Vinyl pool liners are affected by age, sunlight, and water chemistry.
- Vinyl pool liners can become brittle and weak.
- Vinyl pool liners can be affected by the installation and the pool's surroundings.
- Patterns on vinyl pool liners vary in quality.
- When installing the Phantom cleaner, you assume responsibility for the condition of the pool's surroundings and chemistry.

Important Safety Instructions1
Disclaimer1
Introduction3
For Your Records3
Principle Parts4
Preparing the Pool5
 Dedicated Return Line5
 Tools Needed for Installation5
Connecting Phantom Cleaner to Pool6
 Installing the Universal Wall Fitting6
Assembling and Sizing the Rigid Pressure Hose7
Connecting the Rigid Pressure Hose8
 Disconnecting a Hose Pipe8
 Connecting Hose to Wall8
Operating the Phantom Cleaner9
 Setting Pressure9
Large Capacity Debris Bag10
 Attaching Debris Bag10
 Removing Debris Bag10
 Emptying Debris Bag10
 Sand (Dense Debris)10
Correctly Operating Phantom Cleaner11
 Movement11
 Spin-Out11
 Sweep Hose11
 Cleaning11
 Fine Debris11
 Sand (Dense Debris)11
 Pressure Hose11
Phantom Cleaner Adjustments12
 Changing Spin-Out Frequency12
 Changing Spin-Out Cam12
 Adjusting Spin-Out Duration12
 Changing Top and Bottom Operation13
 Adjusting Sweep Hose Power13
Maintenance14
 Removing Phantom Cleaner from Pool14
 Emptying Debris Bag14
 Cleaning the In-Line Filter14
 Sweep Hose15
Storing the Phantom Cleaner15
 Winterizing15
 Periodic Freezing Conditions15
Troubleshooting16
Booster Pump17
Phantom Parts Diagram and Replacement Parts List18
Limited Warranty19

Congratulations on your purchase of the Hayward Phantom Automatic Pool Cleaner. The Hayward Phantom is the only Total Pool Cleaner. The Phantom is designed to not only to clean your pool's bottom and sides, but also to skim the water's surface as well – all automatically!

This revolutionary design offers the following features:

- **Faster Cleaning**
 - Wider Vacuum Nozzle
 - Powerful Sweep Hose
- **Large Debris Pick-up**
 - Large Suction Inlet
 - Three High Pressure Water Jets
- **Less Frequent Bag Cleaning**
 - Large Capacity Bag
 - Easy to remove, clean and replace debris bag
- **Complete Pool Coverage**
 - Patented AquaDrive™ water jet propulsion
 - Randomized Cleaning & Spin-out
 - Sweeps debris off steps while skimming
- **Cleans the Pool Bottom, Sides and Skims the Water's Surface**
 - Automatic Ascent and Descent
 - Switch for Bottom & Side Cleaning Only or Surface Skimming Only
- **Less Wear on Pool Surface**
 - Patented AquaDrive water jet propulsion: no powered wheels wearing pool surfaces
- **Easy Installation**

A limited warranty program protects your Hayward Phantom cleaner. To take full advantage of this limited warranty, please read, complete and **return the Limited Warranty Registration Card within 14 days of purchase date.** Your warranty card is included in this Owner's Guide.

Important

This Owner's Guide is for Phantom owners who want to install their Automatic Pool Cleaner. However, we recommend that an Authorized Hayward Dealer install the cleaner.

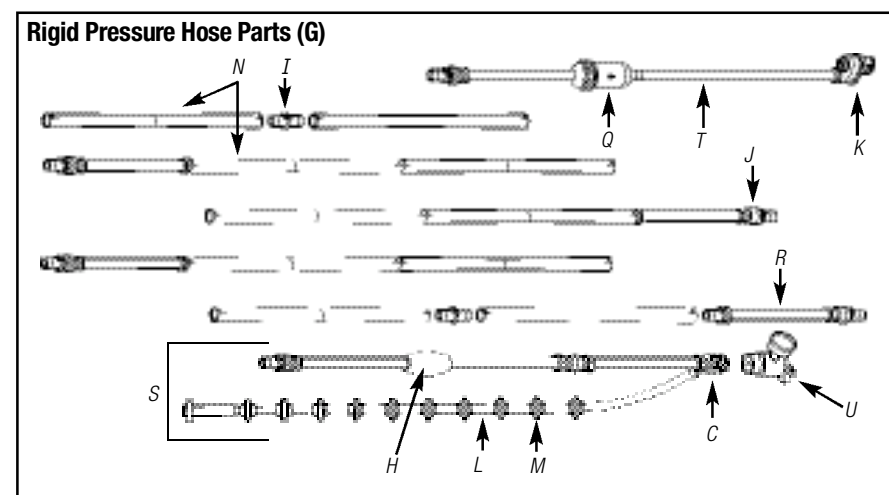
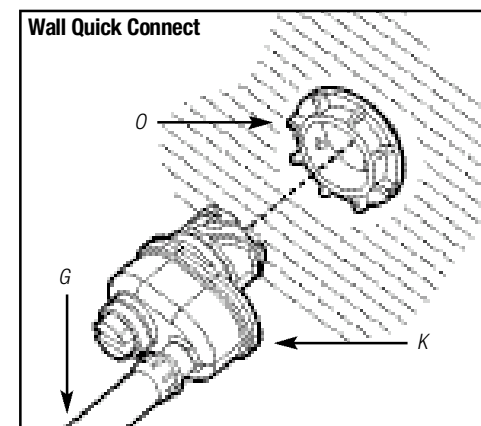
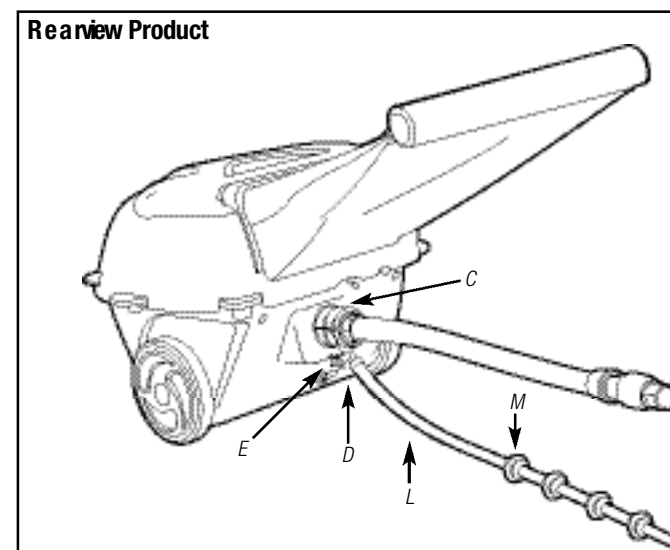
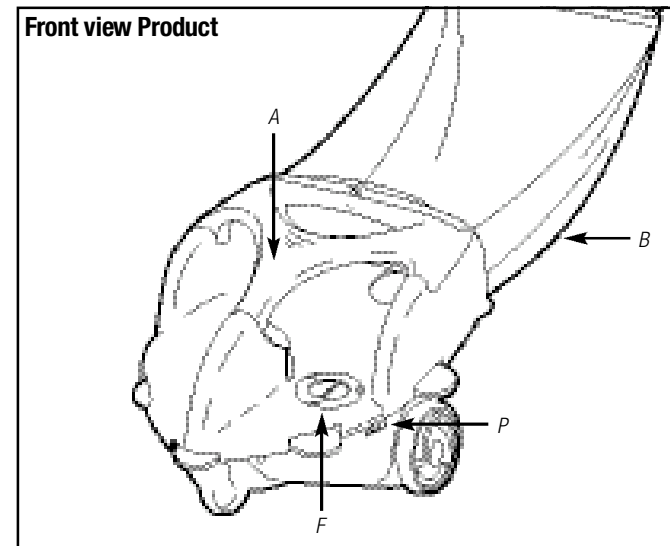
The Hayward 5060 Booster Pump purchased separately or as part of the Phantom Automatic Pool Cleaner package offers optimum cleaner performance. Use of other booster pumps will provide acceptable performance if they deliver at least 35 Pounds per Square Inch (PSI) at 12 Gallons Per Minute (GPM) at the dedicated line pool wall fitting. For electrical and plumbing installation procedures for the Hayward Booster Pump, refer to the Owner's Guide that comes with the Hayward 5060 Booster Pump.

| For Your Records | |
|--|--|
| Purchase Date | |
| Serial Number (located on back of cleaner) | |
| Number of Rigid Pipe Assemblies Used | |
| Pressure Gauge Reading | |

⚠ Caution - Risk of Equipment Damage

Hose may be stored folded pipe-to-pipe. Only first 3-foot hose section and sweep hose must be stored straight, **not coiled**.

- A. Wing
- B. Large Capacity Debris Bag with Float Closure
- C. Cleaner Connector
- D. Sweep Hose Connector
- E. Sweep Hose Adjustment Knob
- F. Cam Cap
- G. Rigid Pressure Hose
- H. Hose Float
- I. Hose Pipe Coupling
- J. Hose Swivel
- K. Adjustable Wall Quick Connect
- L. Sweep Hose
- M. Wear Roller
- N. Rigid Hose Pipe
- O. Universal Wall Fitting
- P. Top / Auto / Bottom Switch
- Q. In-Line Filter
- R. Hose Swivel Assembly
- S. Hose Cleaner End Assembly
- T. Hose Wall End Assembly
- U. Setup Pressure Gauge



The Phantom cleaner should not be used to clean the pool for spring start-up until the following steps have been taken:

1. Clear the pool of any objects that might interfere with the cleaner's operation.
2. Check to see that the water is at the recommended level.
3. Check the water chemistry. The water should be properly balanced (pH level) and the pool free from algae.
Note: Algae can adversely affect the operation and performance of the cleaner.
4. Clean or backwash the filtration system without the Phantom cleaner in the pool.

⚠ Caution - Risk of Equipment Damage.

Always disconnect the Phantom Cleaner and hoses from the Universal Wall Fitting and remove from pool before backwashing or cleaning the filtration system. Failure to do so can damage the Booster Pump and Cleaner.

5. Clean the filtration system pump's strainer basket

Note: After installing the Phantom cleaner, clean the filtration system at regular intervals according to individual pool conditions.

New Pool Construction

1. Brush newly constructed pool surface and manually vacuum new surface debris *before* installing the Phantom.

Sand (dense debris)

Always empty the Phantom bag when sand (or heavy debris) effects the cleaner's stability

Pools with excessive amounts of sand should be manually vacuumed before installing the Phantom.

Dedicated Booster Pump Return Line

The cleaner is designed to connect to a 1-1/2 inch dedicated return line that is at least 6 inches below the normal water level with 1-1/2 inch female threads. If the dedicated return line has 3/4 inch female threads, you will need to purchase a 1-1/2 inch NPTF x 3/4 inch NPTM adapter.

Tools Needed for Installation

- Flat blade screwdriver for adjusting the Regulator on the Wall Quick Connect.
- Rigid Pressure Hose Measuring Tape (included in Bag #1).

Installing Universal Wall Fitting

Builders: Install the Dedicated Return Line at the midpoint of the pool's long wall.

Specification: Dedicated Return Line in Pool Wall.

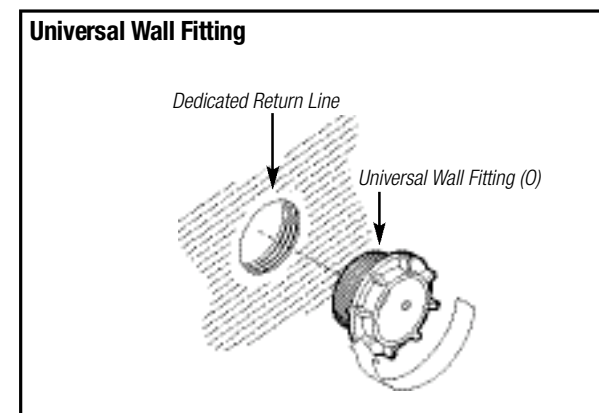
Depth: At least 6 inches below water level.

Size: 1-1/2 inch NPT Female Threaded.

1. Flush plumbing lines before proceeding.
2. Turn Booster Pump and Main Filtration Pump **OFF**.
3. Remove plug or existing Universal Wall Fitting from previously installed pool cleaner (if any).
4. Remove the Universal Wall Fitting (part O) and Teflon® tape from Bag #1.
5. When installing or re-installing the Universal Wall Fitting use Teflon® tape on its plastic threads. Leave two starting threads on the end of the Universal Wall Fitting un-taped.
6. Screw the Universal Wall Fitting into the Dedicated Return Line.

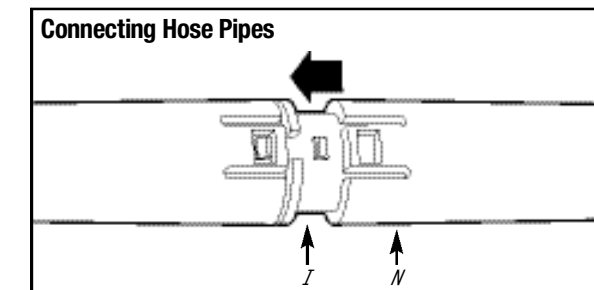
Important: Turn the Universal Wall Fitting 1 full turn to the right to engage starting threads. Be sure both parts are started properly (not cross threaded) then resume tightening – hand tighten only. The Universal Wall Fitting may not screw all the way into the Dedicated Return Line.

Do not over tighten.

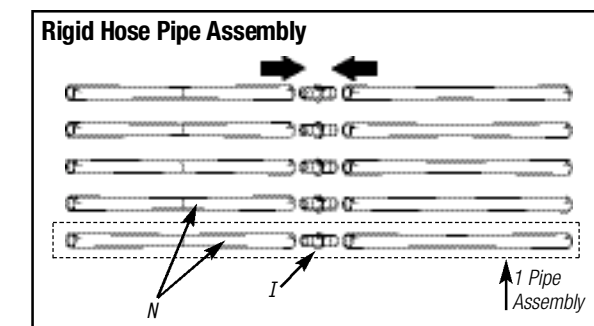


Assembling and Sizing the Rigid Pressure Hose

1. Open the plastic bag labeled #1 that contains 10 Rigid Hose Pipes (Part N) and 5 Hose Pipe Couplings (Part I).
2. Lubricate the 5 Hose Pipe Couplings by dunking them in soapy water.
3. Align the Barbs on the Hose Pipe Coupling with the Tabs on the Rigid Hose Pipes and snap together. Be sure the black o-ring does not slip out of the groove on the Hose Pipe Coupling (if the o-ring is visible through the latch opening when pipes are snapped together the o-ring has slipped out of the groove and will leak)

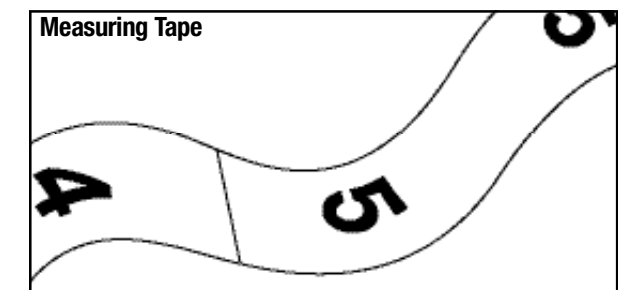
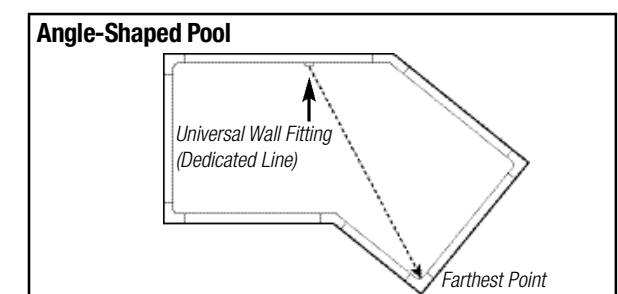
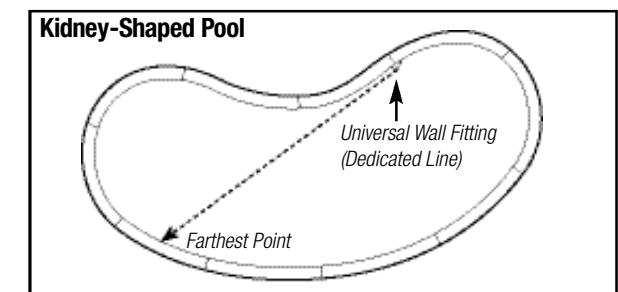
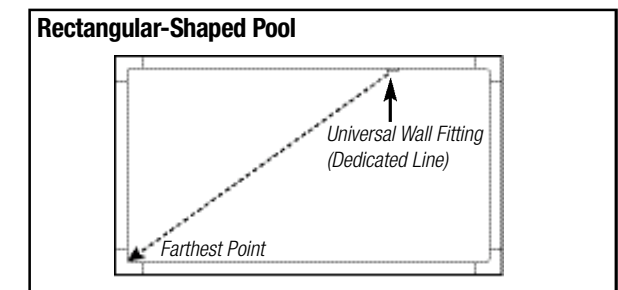


4. Make 5 Sets of Pipe Assemblies by connecting 1 Rigid Hose Pipe onto each end of the Hose Pipe Couplings.



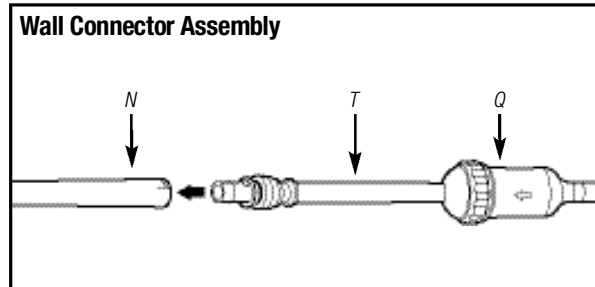
5. Locate the "Measuring Tape" (packed in Bag #1), secure the end of the tape marked "Wall Connector End" on the pool coping immediately above the Universal Wall Fitting.
6. Unroll the Measuring Tape, walk around the pool to the farthest point along the pool wall from the Universal Wall Fitting.

At the farthest point from the Universal Wall Fitting hold the Measuring Tape at the pool edge/coping and read the number of Pipe Assemblies specified on the tape.

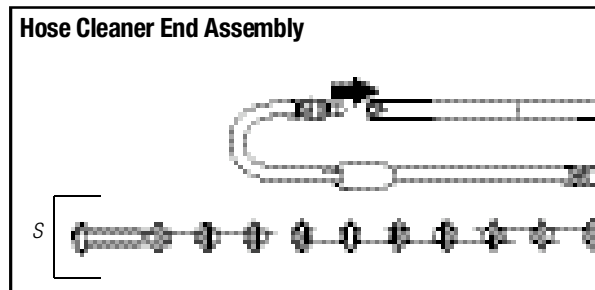


- a. **Note:** If the measuring tape specifies more than 5 Pipe Assemblies, you need to purchase the additional Pipe sections (P/N AX6000HE) from your Authorized Hayward Dealer.
- b. If the measuring tape specifies fewer than 5 Pipe Assemblies, set the remaining Pipe Assemblies aside you won't need them.

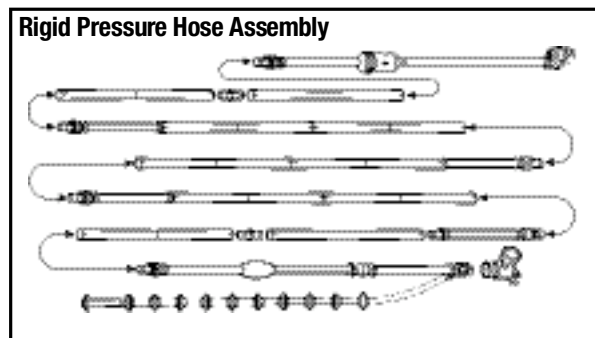
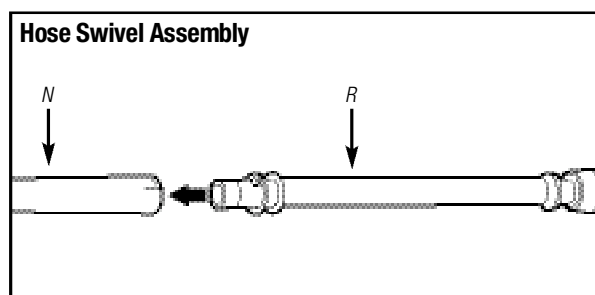
7. Lubricate the swivel on the 3 ft. Hose Wall End Assembly (Part T) in soapy water then snap into one of the Pipe Assemblies.



8. Lubricate the swivel on the Hose Cleaner End Assembly (Part S) in soapy water then snap into a different Pipe Assembly.

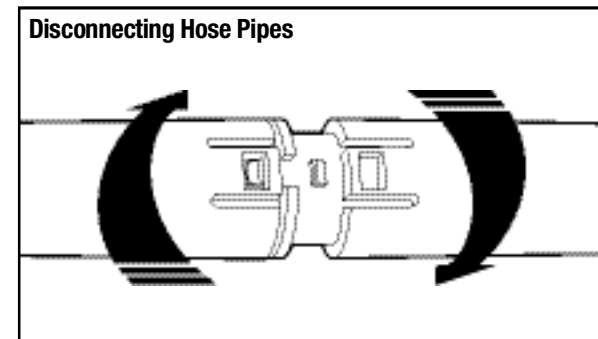


9. Open Bag #2 and lubricate both ends of the Hose Swivel Assemblies (Part R) in soapy water. Connect the Pipe Assemblies by snapping the Hose Swivel Assemblies into each of the Pipe Assemblies.



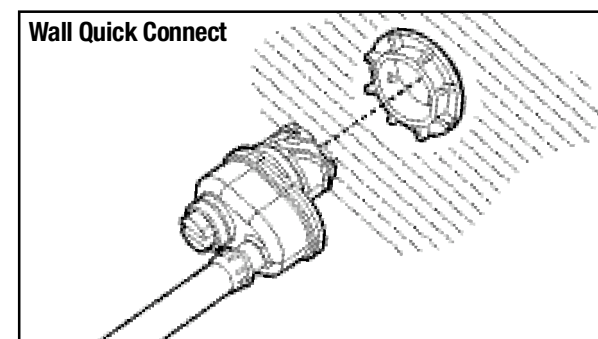
Disconnecting a Hose Pipe

If it is necessary to shorten, lengthen or replace a component of the Rigid Pressure Hose, the Snap Fits can be undone by twisting the connected Hose Pipes as shown.



Connecting Hose to Wall Fitting

1. With the Booster Pump and Filtration system turned **OFF**, look down from the pool deck and hold the Wall Quick Connect so the hose is to the left and the adjustment knob is to the right. Insert the Wall Quick Connect into the Universal Wall Fitting and turn it to the left (counter clockwise) to lock. The hose should be on the bottom below the adjustment knob.
2. Pull the Wall Quick Connect outward to check that the Wall Quick Connect is locked into the Universal Wall Fitting.
3. To **disconnect** the hose, first turn the Booster Pump and Filtration pump **OFF** then push the Wall Quick Connect toward the wall, turn it to the right (clockwise) and pull the Wall Quick Connect out of the Universal Wall Fitting.



⚠ Warning - Risk of Injury

The Filtration and Booster Pumps must be **OFF** when connecting or disconnecting cleaner hose.

⚠ Caution - Risk of Equipment Damage

The filter pump must always be run to clear air from the system before turning the Booster Pump **ON**. **Never run** the Booster Pump without the main filter pump **ON**. Running the Booster Pump dry will damage the Booster Pump and void the warranty.

Operating the Phantom Cleaner

1. Be sure all filtration system valves are open and supplying water to the Booster Pump.
2. Be sure valves to and from the Booster Pump and dedicated return line are fully opened.
3. The Phantom Cleaner and its Booster Pump can only operate when the pool's filter pump is operating.

⚠ Caution - Risk of Equipment Damage

Failure to open valves fully and/or failure to have the filtration system operating will damage the Booster Pump. This damage voids the Booster Pump's warranty.

Setting Pressure

Important: The cleaner will not operate properly if the pressure is not properly set. Too little pressure will prevent proper movement and cleaning. Too much pressure will cause poor cleaning and premature wear of Cleaner parts.

⚠ Warning - Risk of Injury

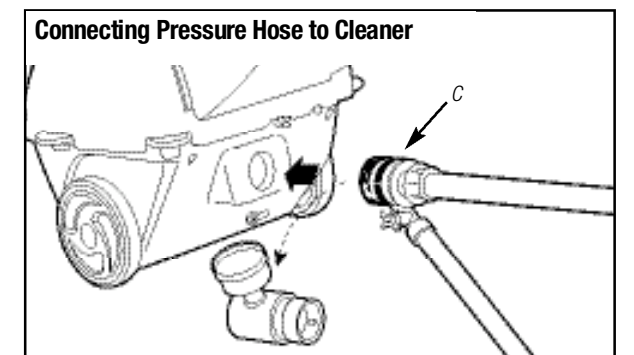
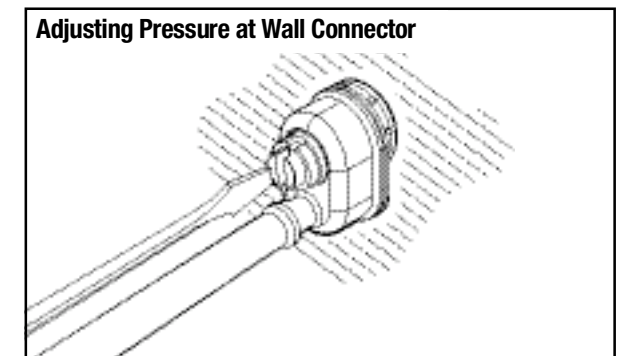
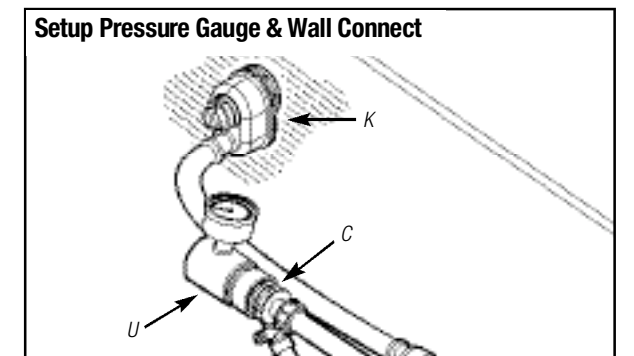
Be careful to hold the Cleaner Connector (Part C) with the Setup Pressure Gauge (Part U) attached under water and not to be sprayed by the hole in the Setup Pressure Gauge or by the Sweep Hose. **Never** point a jet or hose at people or pets.

Clip the Setup Pressure Gauge to the hose near the Wall Quick Connect.

1. Turn the filtration system pump **ON** then the Booster Pump **ON**. Read the pressure on the Setup Pressure Gauge connected to the Cleaner Connector. Use a flat blade screwdriver to adjust the Wall Quick Connect Knob until the pressure reads 25 PSI (+/- 5 PSI).
Note: The Wall Quick Connect can be adjusted from "0" (fully closed) to "5" (fully open). Do **NOT** force the adjustment knob beyond "0" or "5".
2. If the Wall Connector is on Position "5" (fully open) and the

pressure is still below 20 PSI, check for clogged Filter, Pump Strainer Basket, Main Drain, Skimmer Basket, etc., to determine why there is insufficient water pressure at the dedicated line. If more pressure is still required have an Authorized Hayward Pool Dealer or Service person check the Booster Pump, Filtration System and Plumbing to determine if they are functioning correctly.

3. Turn the Booster Pump and Filtration Pump **OFF**.
4. **Remove the Setup Pressure Gauge** from the Cleaner Connector. Store the Setup Pressure Gauge with the Owner's Guide in a safe place.
5. Attach the Cleaner Connector to Cleaner. The Sweep Hose should be directly below the Pressure Hose.
6. Place the cleaner in the pool, turn the Filtration system **ON**, then turn the Booster Pump **ON**.



Attaching Debris Bag

1. Place the frame of the Debris Bag against the back of the Cleaner as shown.
2. Press down on the top corners of the frame.
3. Press down on the top-center of the frame to lock the Debris Bag in place.

Removing Debris Bag

1. Pull the top of the Debris Bag frame back (1) and then up (2).

Note: If you allow the bag to dry, the debris will be easier to remove.

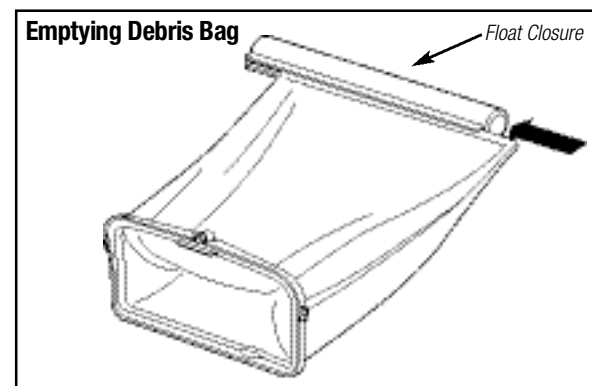
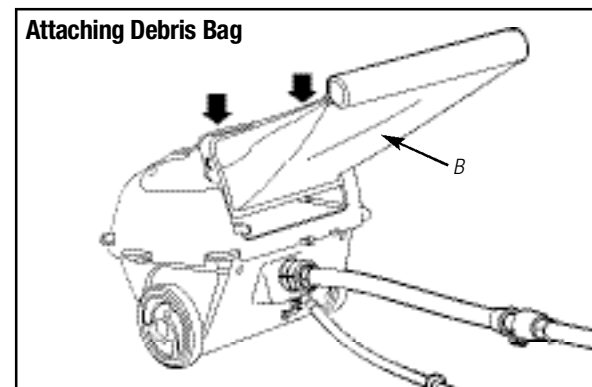
Emptying Debris Bag

1. Hold Bag over trash can or wherever debris is to be placed.
2. Slide Float Closure off of bag.
3. Hold open edges apart and shake debris from bag.
4. Slide Float Closure onto bag.

Sand (dense debris)

If too much sand or heavy debris is collected in the Debris Bag, the bag will "droop" over the hose while on the bottom and may not be able to ascend to the surface properly. If you observe the bag drooping over the hose turn the booster pump off and empty the Debris Bag.

Note: Pools with excessive amounts of sand should be manually vacuumed before installing the Phantom.



Movement

When the Phantom cleaner is operating properly it will randomly travel around the bottom, sides and surface of the pool in "AUTO" mode. The cleaner will clean the bottom and walls 2/3 of its cycle and skim the surface 1/3 of the cycle. In "TOP" or "BOT" (Bottom) mode, the cleaner will stay in the Skimming or Bottom & Wall mode (respectively) until the switch is changed to a different mode.

Spin-Out

The cleaner will periodically stop and rotate clockwise in order to provide better pool coverage and to escape from corners and other obstacles. If the cleaner is momentarily stopped in a corner or at an obstacle, it will Spin-Out to free itself and continue moving randomly about the pool. The Spin-Out Cam determines the frequency of the Spin-Outs. The cleaner comes equipped with 3 Spin-Out Cams; every 75, 50 (factory installed) or 30 seconds (75 second and 30 second Cams are in the Accessory bag). To change Spin-Out Frequency see "Changing Spin-Out Cam".

Sweep Hose

The Sweep Hose should move in a slow, undulating (snake-like) motion. It moves debris out of tight corners so the cleaner can vacuum the debris at a more accessible spot in the pool. The Sweep Hose also stirs fine debris into suspension for removal by the pool's filtration system. **The Sweep Hose Rollers are wear parts.** When the rollers wear-down to the outer groove (Wear Line) replace the Wear Rollers (P/N AX5006A) a bag of extra Wear Rollers is included. If a hole forms in the Sweep Hose, it must be replaced with a genuine Hayward Phantom Sweep Hose (P/N AX5000RSHA).

Cleaning

When the cleaner is on the bottom or walls debris is vacuumed from below the cleaner and passed through the vacuum tube into the Debris Bag. When the cleaner is skimming the surface water jets push the debris into the Debris Bag where it is held until the user empties the Bag. The cleaner may not pick-up all debris on the first pass, but your pool should be clean in 3-hours or less (depending on pool size, shape and the amount of debris in the pool).

Observe the Phantom's operation at regular intervals and empty the bag as necessary. Only operate the Phantom for the time necessary to clean the pool. Excessive use is unnecessary and will cause premature cleaner wear.

Fine Debris

The Large Capacity Debris Bag, as with other pressure-side cleaners, does not hold very fine sand or other powder-like debris. Powder will be blown through the bag and into suspension so it can be filtered by the pool's filtration system.

Sand (Dense Debris)

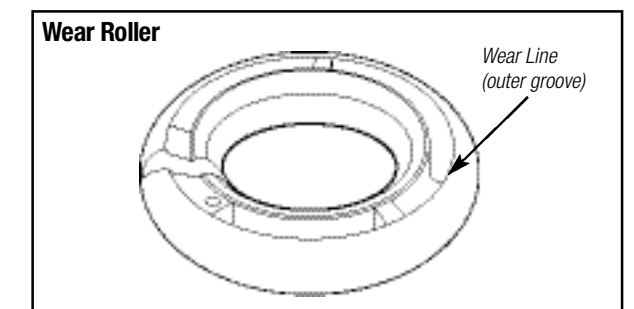
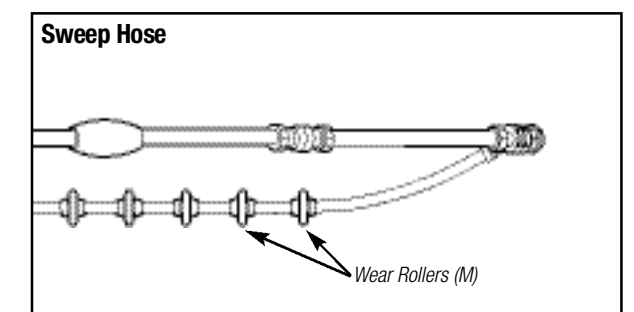
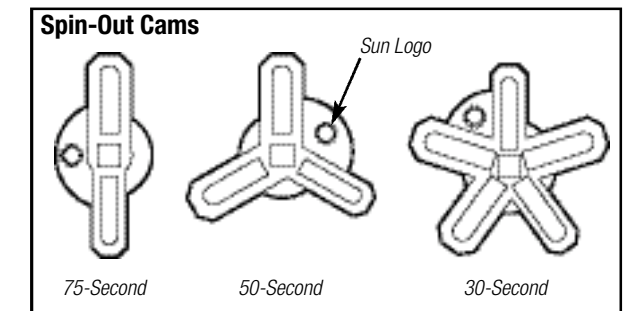
If too much sand or heavy debris is collected in the Debris Bag, the bag will "droop" over the hose while on the bottom and may not be able to ascend to the surface. If you observe the bag drooping over the hose turn the booster pump off and empty the Debris Bag.

Pools with excessive amounts of sand should be manually vacuumed before installing the Phantom.

The Phantom is designed to operate with 1/2-cup of sand and the remainder of its bag filled with leaves, acorns, grasses, etc.

Pressure Hose

This hose has been designed to minimize the forming of loops and knotting. Most of the pressure hose should remain below the surface of the water the majority of the time. If the hose forms a loop the cleaner will eventually work it out. In the rare event the hose becomes knotted or tangled, it will limit the range of the cleaner. To get optimal coverage, remove knots or bad tangles if found.



Phantom Cleaner Adjustments

⚠ Warning – Risk of Injury

Turn the Booster Pump and Filtration Pump OFF before making adjustments to the cleaner. Always make adjustments outside of the pool. Failure to do so may cause injury.

Changing Spin-Out Frequency

- In most pools it will not be necessary to change the Spin-Out frequency.
- The cleaner comes with a 3-prong Spin-Out cam installed, which makes the Phantom cleaner Spin-Out once every 50-seconds. This is appropriate for most pools.
- Pools that are small or have many sharp corners or other obstacles may benefit from more frequent Spin-Outs. For such pools, open the Cam Cap and replace the 3-prong cam with the 5-prong 30 second cam.
- Pools that are very large and/or have very few obstacles may benefit from less frequent Spin-Outs. For such pools, open the Cam Cap and replace the 3-prong cam with the 2-prong 75-second cam.
- The goal is to maximize cleaning time and minimize the amount of time spinning out.
- If the cleaner is spending too much time at an obstacle waiting for a Spin-Out, use a cam with more prongs for more frequent Spin-Outs.
- If the cleaner rarely needs to Spin-Out near an obstacle then a cam with fewer prongs and less frequent Spin-Outs will increase effective cleaning time.
- If the cleaner has a tendency to stay in the deep end (not cleaning the shallow end sufficiently), in pools with a particularly steep or long slopes between the deep and shallow ends, we recommend using a cam with fewer prongs, it will promote longer straight runs.

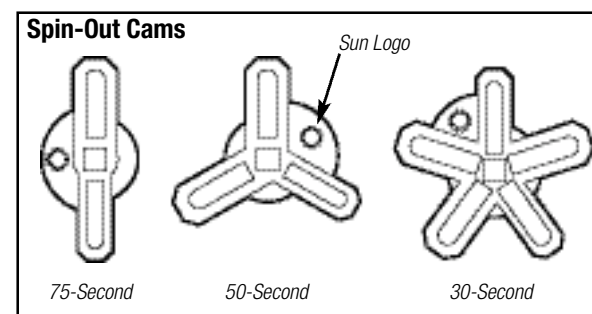
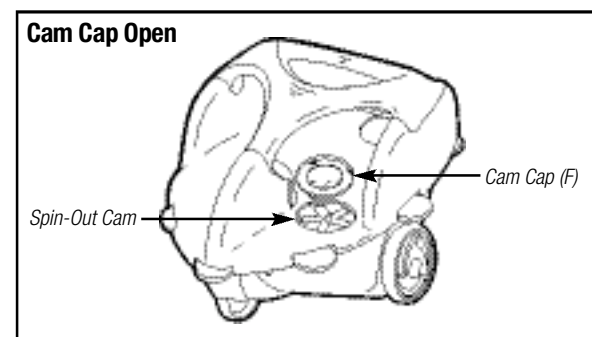
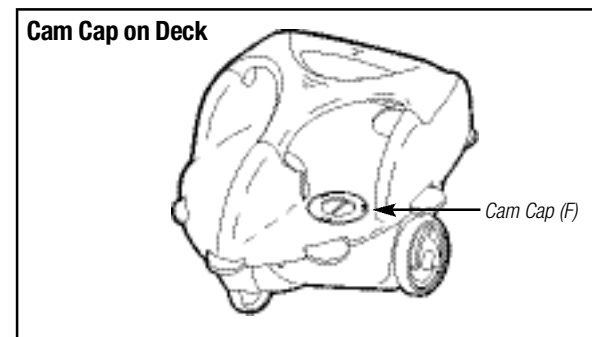
Changing Spin-Out Cam

1. Turn the Cam Cap counter clockwise to open.
2. Remove the Spin-Out Cam.
3. Place the desired Cam in place over the stem.
4. Place unused Cams in Accessory Bag and store in a safe place with the Owner's Guide.
5. Close the Cam Cap.

Adjusting Spin-Out Duration

Each Cam has a "Summer" side and a "Winter" side (see Sun & Snowflake logos on each Cam). The Summer side is usually preferred. If the pool water is cold (below 60 degrees F), the Pressure Hose becomes stiffer and may prevent the Cleaner from Spinning-Out enough to escape from obstacles. The "Winter" Cam side will provide longer Spin-Outs so the Cleaner operates better in cold water.

1. Turn the Cam Cap to open
 2. Remove the Cam, turn it over and replace the Cam so the desired (Sun or Snowflake) side is face-up.
- If the cleaner is making more than three attempts to escape from an obstacle, use the "Winter" side.
 - If the cleaner regularly spins-out more than three-quarters of a turn, use the "Summer" side.

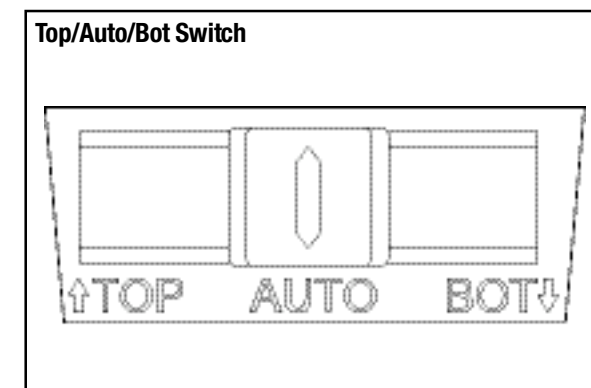


Changing Top and Bottom Operation

The Top/Bottom Switch (Part P, page 4) is set to "AUTO" at the factory. The Phantom Cleaner will vacuum the pool bottom and sides 2/3 of its cycle and skim the surface 1/3 of its cycle automatically.

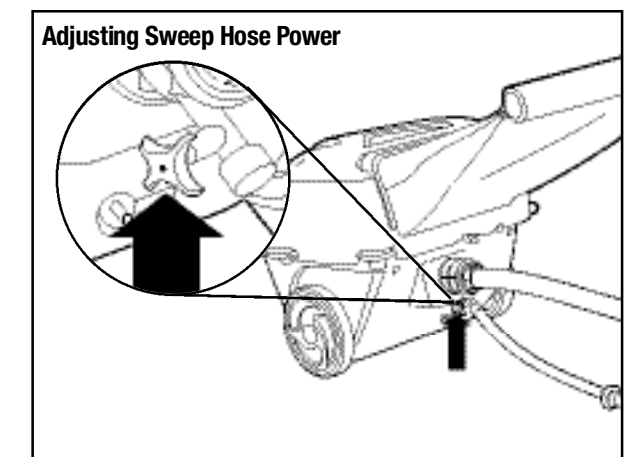
The cleaner can be easily adjusted to concentrate on the areas of the pool with the most debris.

- To ONLY clean the bottom and sides of the pool, move the switch to the right "BOT".
- To ONLY skim the pool surface, move the switch to the left "TOP".



Adjusting Sweep Hose Power

- In most pools it will not be necessary to adjust the Sweep Hose power.
- Observe the Phantom cleaner operating in the pool. The Sweep Hose should move in a slow, undulating (snake-like) motion.
- **Sweep Hose Not Moving:** If the Sweep Hose does not move side-to-side and just drags behind the cleaner, check the Sweep Hose for holes. Check for debris behind the adjustment knob or in the jet-end of the Sweep Hose.
- **Sweep Hose Moves Slowly Or Not At All:** Turn the adjustment knob counter-clockwise to increase Sweep Hose power.
- **Sweep Hose Frequently Sprays Out Of The Pool:** Turn the adjustment knob clockwise to reduce Sweep Hose power.
Note: Do NOT turn the Sweep Hose completely off. This can cause the hose to tangle or knot.



Removing the Phantom Cleaner From the Pool

⚠ Warning – Risk of Injury

The Booster Pump and Filtration Pump must be **OFF** when connecting or disconnecting cleaner or hose.

1. **Turn the Booster Pump and Filtration Pump OFF.** If you will not be replacing the cleaner before the next Booster Pump timer cycle, turn the Booster Pump Timer **OFF**. **Never** run the Booster Pump without the cleaner connected. **Failure to do so can cause serious injury.**

⚠ Caution - Risk of Equipment Damage

Never run the Booster Pump without the Cleaner connected. Doing so will damage the pump's motor and void the Booster Pump's warranty.

2. From the pool deck looking down push the Wall Quick Connect into the Universal Wall Fitting and turn it to the right (clockwise).
3. Pull the Wall Quick Connect out of the Universal Wall Fitting.
4. Grab the cleaner by the wing, and remove from the pool.
5. Disconnect the Cleaner Connector from the Phantom Cleaner.
6. Lay the Cleaner End of the Pressure Hose and the Sweep Hose flat and straight.

Important: Always store the Cleaner End of the Pressure Hose and the Sweep Hose straight, **not coiled**. The cleaner may not operate properly with these hoses bent.

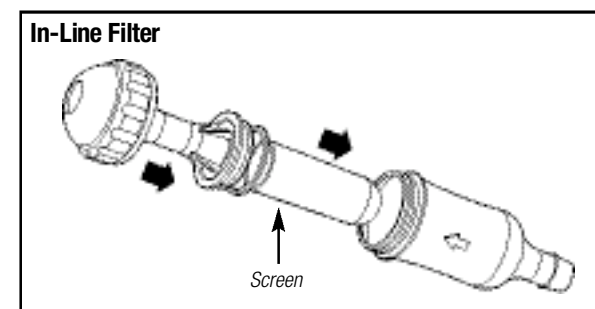
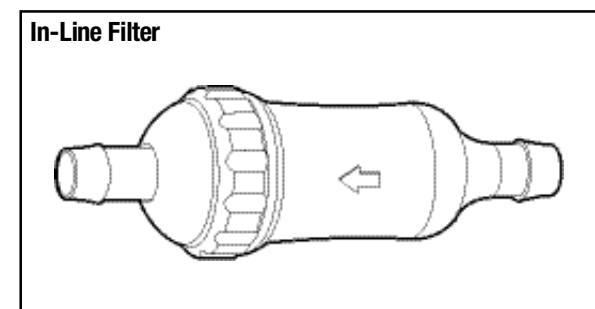
Emptying the Debris Bag

- Empty the Debris Bag regularly. Do not continue to operate the Phantom when the bag is full.
 1. Hold Bag over trashcan or wherever debris is to be placed.
 2. Slide Float Closure off of bag.
 3. Hold open edges apart and shake debris from bag.
 4. Slide Float Closure onto bag.
- **Sand (dense debris): Always empty the Phantom Debris Bag when there is too much sand (or heavy debris).** If the Cleaner cannot climb to the surface in TOP or AUTO mode OR the Bag "droops" over the hose **turn the Booster Pump OFF and empty the Debris Bag.**
- When the bag is full of leaves or other debris, the debris may trap air in the bag while skimming the surface. If the trapped air prevents the cleaner from descending to the pool bottom, empty the Debris Bag.

DO NOT operate the Phantom if it runs on its side or upside-down.

Cleaning the In-Line Filter

1. The In-Line filter (Part Q) is located by the Wall Quick Connect (Part K).
2. To remove the screen inside the In-Line Filter, unscrew the cap of the In-Line Filter and remove the screen.
3. Remove the debris from the screen and rinse. **Important:** If the screen frequently becomes plugged, the filtration system is not performing properly or there is another plumbing problem.
4. Place the open end of the screen into the outlet end of the In-Line Filter and screw the cap back on. **Important:** Make sure the O-Ring is in place and properly seated.

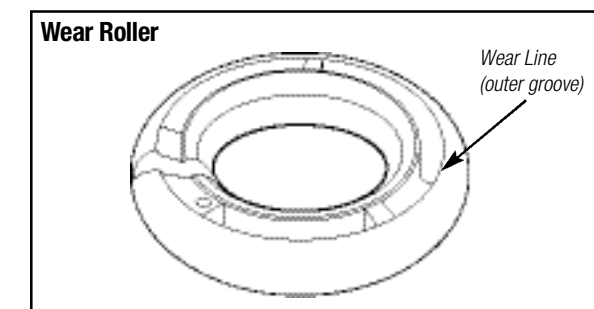


⚠ Caution - Risk of Equipment Damage

Never operate the cleaner without the screen in place. Operating the cleaner without the screen will damage the cleaner's internal mechanism.

Sweep Hose

- Sweep Hose Wear Rollers will experience wear when operating in a plastered or concrete pool.
- When the Wear Rollers wear-down to the outer groove (Wear Line) replace the Wear Rollers (P/N AX5006A).
- Check the Sweep Hose for holes (Replace if necessary with P/N: AX5000RSHA).



*Some parts will wear with normal use. To ensure the high quality performance, insist on **Genuine Hayward replacement parts (using non-Hayward replacement parts will Void the Phantom Cleaner's Warranty).** The following parts are user replaceable and subject to normal wear and tear.*

1. **Sweep Hose:** If a hole forms in the Sweep Hose, it should be replaced. Unscrew the metal mender nut from the hose and pull the Sweep Hose (Sweep Hose Replacement Part Number: AX5000RSHA) off the Cleaner Connector. Attach a new Sweep Hose to the Cleaner Connector.
2. **Large Capacity Debris Bag with Float:** The Debris Bag should be replaced if it is torn (Replacement Part Number: AX6000BA).
3. **Swivels:** If a swivel ceases to turn easily or leaks while the cleaner is running, it should be replaced.

Storing the Phantom Cleaner

1. **Turn the Booster Pump OFF** and set the timer so the Booster Pump will not turn on while the Phantom cleaner is out of the pool (**Never** operate the Booster Pump without the cleaner connected).
2. Disconnect Wall Quick Connect from the Universal Wall Fitting. The Universal Wall Fitting may be left in place.
3. The cleaner is constructed of the finest materials available, however we recommend that when the Phantom cleaner is removed from the pool, it should be stored flat on its wheels in a shaded area to protect the unit from excessive exposure to sunlight.
4. Store the Sweep Hose and the Hose Cleaner End Assembly (Part S) straight and flat, **not coiled**. The Rigid Hose Pipe Sections may be folded on one another, so that the short hoses in-between are bent. If possible, store the hoses in the shade.

Winterizing the Cleaner

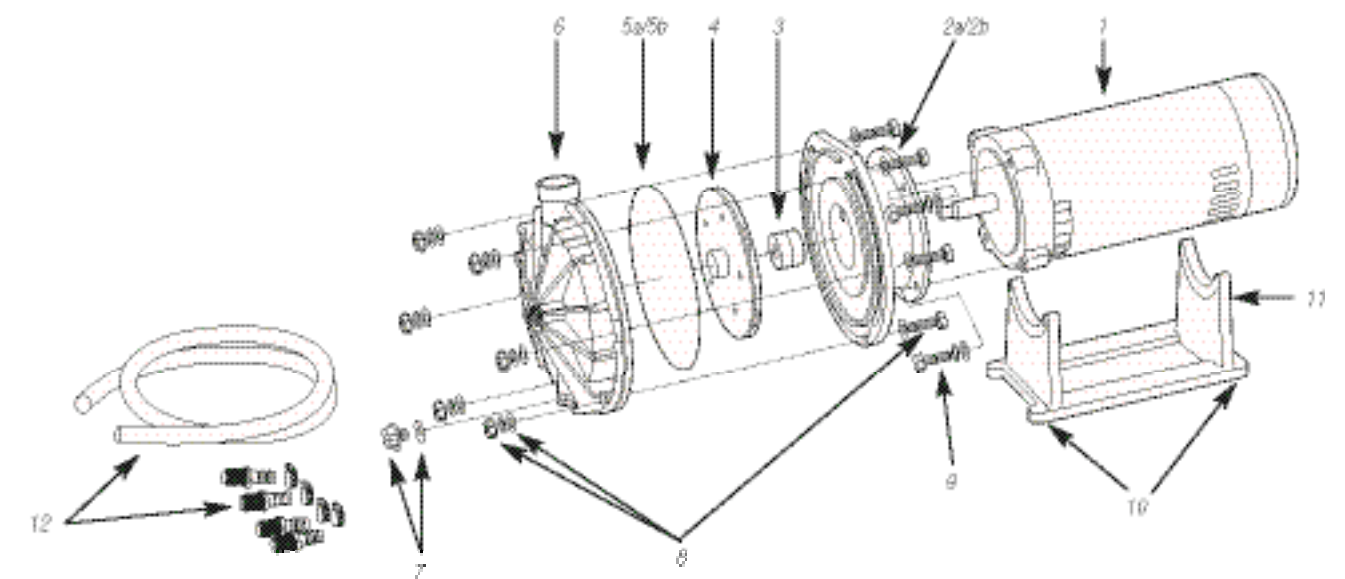
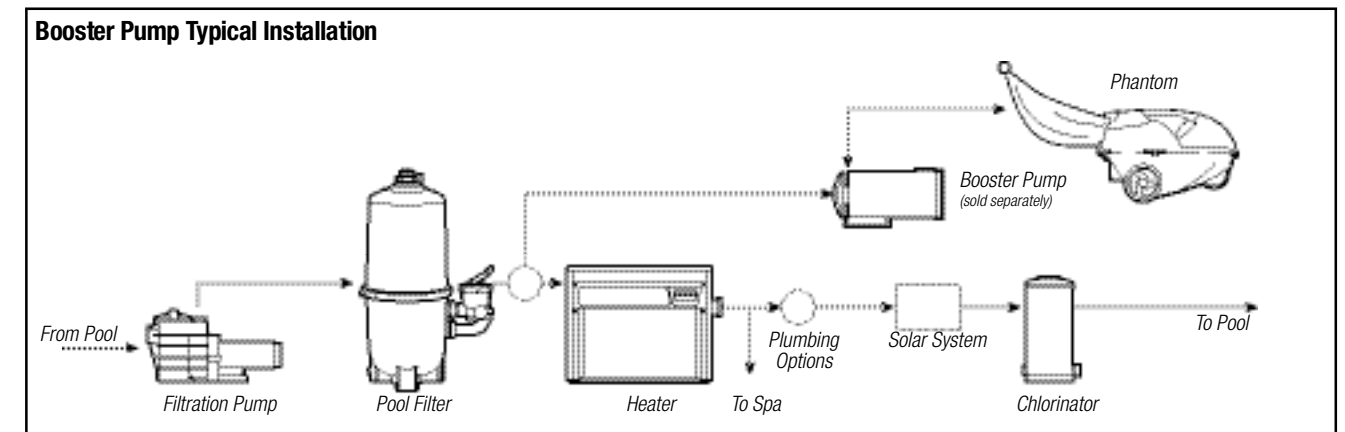
When closing your pool for the winter completely drain the water from the Phantom Cleaner (by slowly rotating it in all directions) and Hoses. Store the Phantom Cleaner indoors to prevent freezing of the inner mechanisms.

Periodic Freezing Conditions

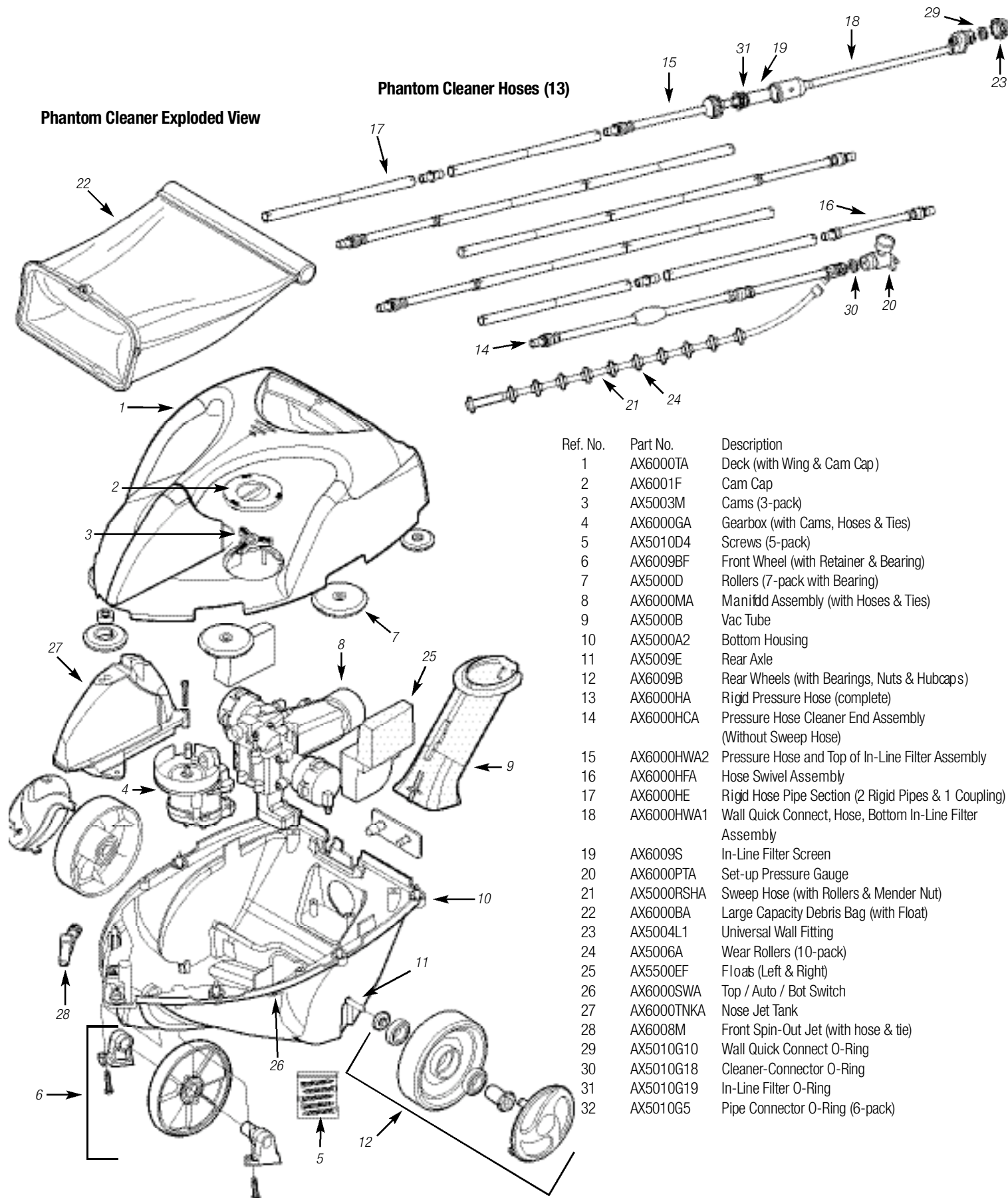
If you are in an area subject to periodic freezing conditions, but pool equipment is kept in operation, it is very important that the filtration system and Phantom cleaner be in operation during times when hard freezing occurs (normally between 3 AM and 7 AM). Running the Phantom cleaner at this time will ensure against damaging the Cleaner and may prevent freezing the pool water.

For Technical Assistance Call:
1-800-227-1477

| Problem | Cause | Solution |
|---|--|--|
| Slow or no Forward Movement | Low or No Water Pressure | Check Filtration and Booster Pumps, Valves, Cleaner Connections. Check Cleaner Pressure and In-Line Filter. (Page 9 and Page 14) |
| No Spin-Out | Cam Not Properly Installed | Open Cam Cap. Check that Cam Properly Installed. Close Cam Door. (Page 12) |
| | Gearbox not Rotating | With the Cleaner Running, Open Cam Cap and Confirm that Cam is Rotating. If not, have your Gearbox (AX6000GA) Replaced |
| Cleaner Stuck in Top or Bottom Mode | Mode Adjustment Tab not in Top / Auto / Bot Switch | Put Switch in Desired Mode (Top, Auto or Bottom) |
| Cleaner Does Not Reach Farthest Point in Pool | Hose Too Short | Check Hose Length (Page 7) |
| Hose Frequently Tangles | Float not Properly Placed | Check Float is Centered on the Two-Foot Hose Connected to the Pipe Closest to the Cleaner |
| | Hose Too Long | Check Hose Length (Page 7) |
| | Spin-Out Too Long and/or Too Frequent | Check Summer/Winter Position of Cam. (Page 12) Use Spin-Out Cam with Fewer Prongs. (Page 12) |
| | Sweep Hose Not Moving | Check Sweep Hose for Holes or Clogs. Increase Sweep Hose Power. (Page 13) |
| Cleaner Head Cannot Escape from Some Corners | Spin-Out Too Short | Change Cam to Winter Position. (Page 12) |
| Cleaner Head Rotates More Than 3/4 Turn During Spin-Out | Spin-Out Too Long | Change Cam to Summer Position. (Page 12) |
| Sweep Hose Sprays Out Of Pool | Sweep Hose Power Too Strong | Reduce Sweep Hose Power (Page 13) |
| Little Or No Sweep Hose Movement | Sweep Hose Power Too Weak | Increase Sweep Hose Power (Page 13) |
| | Hole in Sweep Hose | Replace Sweep Hose (P/N AX5000RSHA) |
| | Debris Clogging Sweep Hose | Disconnect Sweep Hose and Flush Out |
| Phantom Running On Side or Upside Down | Heavy Debris | Empty Bag |
| | Pressure Too High | Check Operating Pressure (Page 9) |
| Cleaner Cannot Climb to the Surface in TOP or AUTO Mode | Pressure Too High or Too Low | Check Operating Pressure (Page 9) |
| | Too Much Heavy Debris in Bag | Empty Bag |
| Cleaner runs in Small Circles | Hose on Hose Cleaner End Assembly Bent | Layout in Sun Until Straight |



| Ref. No. | Part No. | Description |
|----------|-------------|---|
| 1 | AX5060M | Motor (3/4 HP 60 cycles) |
| 2a | AX5060B | Seal Plate (Prior to 2004) |
| 2b | AX5060B2 | Seal Plate (2004 and beyond) |
| 3 | SPX1250XZ2C | Spring Seal with Seat |
| 4 | AX5060C | Impeller Assembly |
| 5a | AX5060GA | Flat Gasket, Booster Pump (Prior to 2004) |
| 5b | AX5060J | Ribbon Gasket, Booster Pump (2004 and beyond) |
| 6 | AX5060A | Volute 3/4" NPT-F |
| 7 | SPX1700FG | Pipe Plug with Gasket |
| 8 | AX5060Z2A1 | Nut, Bolt and Washer Kit (6-pack) |
| 9 | AX5060RSA1 | Motor Bolt with Washer Kit (4-pack) |
| 10 | AX5060P | Stem Bumper |
| 11 | AX5060D | Base |
| 12 | AX5060HKIT | Booster Pump Hose Kit |
| 13 | AX5060K | Metal Flange (Prior to 2004) Not Shown |
| Optional | 5060VKIT | Vertical Installation Kit |



| Ref. No. | Part No. | Description |
|----------|------------|--|
| 1 | AX6000TA | Deck (with Wing & Cam Cap) |
| 2 | AX6001F | Cam Cap |
| 3 | AX5003M | Cams (3-pack) |
| 4 | AX6000GA | Gearbox (with Cams, Hoses & Ties) |
| 5 | AX5010D4 | Screws (5-pack) |
| 6 | AX6009BF | Front Wheel (with Retainer & Bearing) |
| 7 | AX5000D | Rollers (7-pack with Bearing) |
| 8 | AX6000MA | Manifold Assembly (with Hoses & Ties) |
| 9 | AX5000B | Vac Tube |
| 10 | AX5000A2 | Bottom Housing |
| 11 | AX5009E | Rear Axle |
| 12 | AX6009B | Rear Wheels (with Bearings, Nuts & Hubcaps) |
| 13 | AX6000HA | Rigid Pressure Hose (complete) |
| 14 | AX6000HCA | Pressure Hose Cleaner End Assembly (Without Sweep Hose) |
| 15 | AX6000HWA2 | Pressure Hose and Top of In-Line Filter Assembly |
| 16 | AX6000HFA | Hose Swivel Assembly |
| 17 | AX6000HE | Rigid Hose Pipe Section (2 Rigid Pipes & 1 Coupling) |
| 18 | AX6000HWA1 | Wall Quick Connect, Hose, Bottom In-Line Filter Assembly |
| 19 | AX6009S | In-Line Filter Screen |
| 20 | AX6000PTA | Set-up Pressure Gauge |
| 21 | AX5000RSHA | Sweep Hose (with Rollers & Mender Nut) |
| 22 | AX6000BA | Large Capacity Debris Bag (with Float) |
| 23 | AX5004L1 | Universal Wall Fitting |
| 24 | AX5006A | Wear Rollers (10-pack) |
| 25 | AX5500EF | Floats (Left & Right) |
| 26 | AX6000SWA | Top / Auto / Bot Switch |
| 27 | AX6000TNKA | Nose Jet Tank |
| 28 | AX6008M | Front Spin-Out Jet (with hose & tie) |
| 29 | AX5010G10 | Wall Quick Connect O-Ring |
| 30 | AX5010G18 | Cleaner-Connector O-Ring |
| 31 | AX5010G19 | In-Line Filter O-Ring |
| 32 | AX5010G5 | Pipe Connector O-Ring (6-pack) |

Important!

Retain Your Bill of Sale For Proof of Warranty Eligibility

To the Original Retail Consumer / Purchaser (the "PURCHASER") of the Hayward Phantom Automatic Pool Cleaner (the "CLEANER").

Hayward Pool Products, Inc. ("HAYWARD") warrants the parts for One (1) year from the date of original purchase (excluding the bag and sweep hose which are normal replacement parts).

The Hayward Booster Pump is excluded in this warranty and carries its own separate warranty.

SHOULD THE CLEANER FAIL TO BE IN GOOD WORKING ORDER IN ACCORDANCE WITH THE ABOVE SCHEDULE, HAYWARD WILL AT ITS OPTION REPAIR OR REPLACE THE CLEANER OR ANY DEFECTIVE PARTS AT NO ADDITIONAL CHARGE EXCEPT AS SET FORTH BELOW. REPAIR PARTS AND REPLACEMENT PRODUCTS WILL BE FURNISHED ON AN EXCHANGE BASIS AND WILL BE NEW OR FUNCTIONALLY EQUIVALENT. ALL PARTS REMOVED AS A RESULT OF REPLACEMENT SHALL BECOME THE PROPERTY OF HAYWARD. LIABILITY OF HAYWARD AND THE SOLE REMEDY OF THE PURCHASER WHETHER IN CONTRACT UNDER ANY WARRANTY, IN TORT (INCLUDING NEGLIGENCE), IN STRICT LIABILITY OR OTHERWISE, SHALL BE LIMITED TO THE REPAIR OR REPLACEMENT OF DEFECTIVE PARTS ONLY AND SHALL IN NO EVENT EXCEED THE RETURN OF THE AMOUNT OF THE PURCHASE PRICE PAID BY THE PURCHASER.

THIS LIMITED WARRANTY IS SUBJECT TO THE FOLLOWING TERMS AND CONDITIONS:

1. This Limited Warranty shall not apply to damage caused by failure to perform normal maintenance on the CLEANER (e.g. monitoring pressure/flow and replacing a worn bag and sweep hose).
2. This Limited Warranty shall be void if the CLEANER is modified in any respect, including, but not limited to the use of any parts other than Genuine Hayward Parts.

3. This Limited Warranty shall not apply to any injury, loss, damage, defect or malfunction of the CLEANER or failure of the CLEANER to function resulting from any failure to operate or maintain the CLEANER in accordance with the directions contained in the Owner's Guide provided by HAYWARD or any injury, loss, damage, defect, malfunction or failure to function resulting from any misuse, unreasonable use, tampering, abuse, accident, act of God, alterations in the CLEANER by anyone other than HAYWARD including but not limited to such damages or injuries to parts resulting from running pump dry (e.g. interruption in or inadequate supply of water to the Booster Pump, or obstruction in lines, or otherwise); or damage, defects, or malfunctions resulting from defects in, failure or malfunction of, or negligence, abuse, or misuse with respect to equipment other than the CLEANER.
4. This Limited Warranty shall not apply to the malfunction of, damage to, materials failure in, or changes in the appearance of the CLEANER resulting from exposure to sunlight or chemicals or chemical reactions to substances with which any part of the CLEANER may come in contact or parts if worn, do not affect performance of the CLEANER.
5. This Limited Warranty does not apply to cleaners used for commercial purposes.
6. The CLEANER is designed to function in a properly designed, constructed and maintained pool. The Limited Warranty does not apply in the circumstances where the pool's design, construction or maintenance is defective, substandard or inappropriate for the CLEANER'S operation.
7. Deterioration, discoloration or brittleness of pool plaster and vinyl liners can be caused over time separately, or in combination with, algae and an imbalance in pool water chemistry, improper installation, and other factors.

Limited Warranty

Limited Warranty

HAYWARD hereby disclaims any and all claims, and PURCHASER releases HAYWARD from any and all claims for damages to any pool plaster or vinyl liner in PURCHASER'S pool by reason of the use and/or operation of the CLEANER

8. This Limited Warranty is valid and enforceable only on CLEANERS assembled, manufactured, or purchased and installed in the United States of America and Canada.
9. This Limited Warranty shall apply to PURCHASER as original purchaser of the CLEANER from an authorized HAYWARD dealer and shall not apply to any subsequent purchaser, assignee or other recipient of the CLEANER from the PURCHASER.
10. **This Limited Warranty does not apply unless the accompanying Registration Card is signed, completed and returned within fourteen (14) days from the date of purchase.** Hayward reserves the right to dispose of any Registration Card once it is received. PURCHASER must retain written proof of purchase.
11. The foregoing Limited Warranty gives the PURCHASER specific legal rights, which may vary from state to state, and accordingly some of the listed conditions, and exclusions may not apply to PURCHASERS living in certain states.
12. Neither party will be liable to the other for any failure or delay in performance due in whole or in part to any cause beyond such party's reasonable control, including due to the elements, acts of God, acts of the other party, acts of civil or military authority, war, riots, or concerted labor action.
13. The PURCHASER has no right to sell, transfer or assign interest it has in this agreement without the prior written consent of HAYWARD. HAYWARD may, without notice, assign its interest in this agreement or any payment or other sum due hereunder without notice to or prior consent of the PURCHASER. If Hayward makes any such assignment, the assignee will have all of HAYWARD's rights, obligations, powers, privileges and remedies. Modification of this Agreement may only be made in writing signed by an authorized agent of HAYWARD.

Should a defect in workmanship and /or materials in the CLEANER become evident during the term of the Limited Warranty, PURCHASER must ship the item freight prepaid to any authorized Factory Service Center as soon as possible after the discovery of the defect, together with a copy of the Bill of Sale including date of purchase and serial number of the item claimed to be defective, the name and address of the PURCHASER and a brief description of the problems/defects encountered. Call (800) 227-1477 for the name and address of the nearest Factory Service Center (outside the continental U.S. call (909) 594-1600).

HAYWARD will at its option, repair or replace the defective CLEANER parts covered by this Limited Warranty at its own cost and expense and return the same to the PURCHASER freight prepaid. HAYWARD is not responsible for any cost and expense of handling, packing, shipping or transporting the CLEANER or any parts to or from the Factory Service Center, unless expressly provided to the contrary by state law. No dealer, distributor or other similar person has any authority to make any warranties or representations concerning HAYWARD beyond the express terms contained herein. HAYWARD assumes no responsibility for any warranties beyond the express terms contained in this Limited Warranty. This Limited Warranty is in lieu of any other warranties expressed or implied, and is valid and enforceable only in the United States of America and Canada. The PURCHASER must provide written proof of the original date of purchase of the CLEANER in form reasonably acceptable to HAYWARD.

The exclusive forum for any dispute between the PURCHASER and HAYWARD will be binding arbitration, conducted in Union County, New Jersey under the rules of the American Arbitration Association, and the prevailing party will be entitled to an award of attorney's fees and costs.

THE FOREGOING WARRANTY AND REMEDIES ARE EXCLUSIVE AND ARE MADE EXPRESSLY IN LIEU OF ALL OTHER WARRANTIES, EXPRESSED OR IMPLIED, WHETHER IN FACT OR BY OPERATION OF LAW, STATUTORY OR OTHERWISE, INCLUDING WARRANTIES OF MERCHANTABILITY AND FITNESS FOR USE OR A PARTICULAR PURPOSE. HAYWARD NEITHER ASSUMES NOR AUTHORIZES ANY OTHER PERSON TO ASSUME FOR IT ANY OTHER LIABILITY IN CONNECTION WITH THE SALE, INSTALLATION OR USE OF THE CLEANER AND HAYWARD MAKES NO WARRANTY WHATSOEVER FOR EQUIPMENT NOT SUPPLIED BY HAYWARD. THE FOREGOING WARRANTY DOES NOT COVER DAMAGE TO THE CLEANER RESULTING FROM ACCIDENT, MISUSE, ABUSE, OR NON-HAYWARD MODIFICATIONS OF THE CLEANER. HAYWARD SHALL NOT BE LIABLE FOR DAMAGES DUE TO DELAYS IN DELIVERY OR USE. IN NO EVENT WILL HAYWARD BE LIABLE TO THE PURCHASER FOR ANY DAMAGES INCLUDING, BUT NOT LIMITED TO, ANY DIRECT, SPECIAL, INCIDENTAL OR CONSEQUENTIAL DAMAGES ARISING OUT OF OR RELATING TO THE SALE, INSTALLATION, OR USE OF OR INABILITY TO USE THE CLEANER, PURCHASER'S SWIMMING POOL OR FOR ANY OTHER CLAIM BY ANY OTHER PARTY.

Use Only Genuine Hayward Replacement Parts.

HAYWARD®

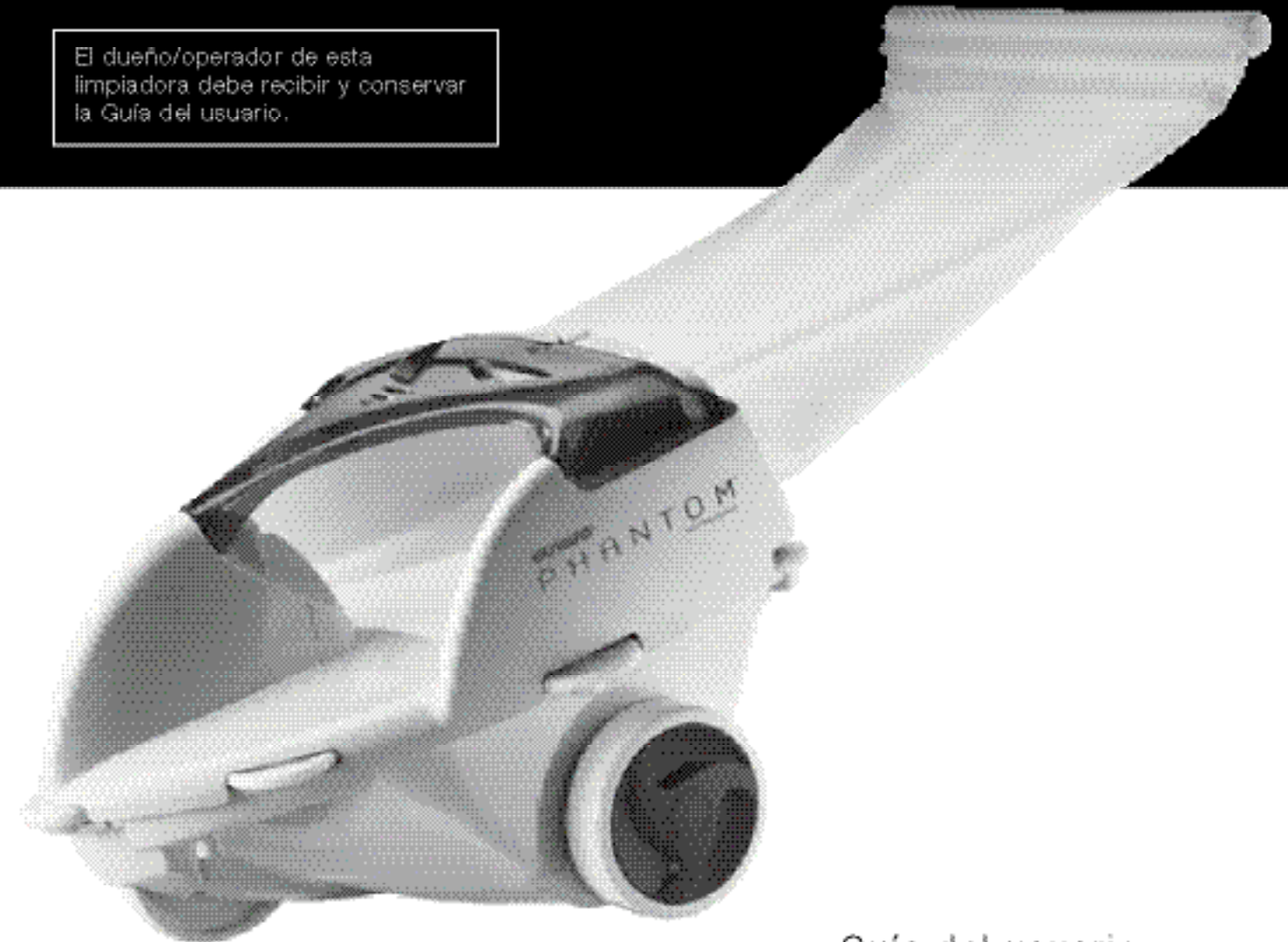
PHANTOM™

The Only *Total* Pool Cleaner

Atención instaladores:

Este manual contiene información importante sobre la instalación, el funcionamiento y el uso seguro de la limpiadora automática de piscinas.

El dueño/operador de esta limpiadora debe recibir y conservar la Guía del usuario.



Guía del usuario
Modelo 6000

- Instrucciones importantes de seguridad
- Instrucciones para la instalación
- Nómina de piezas
- Tarjeta de registro de garantía
- Garantía

⚠ Advertencia

Lea toda la Guía del usuario antes de armar e instalar la limpiadora Phantom. Si no se respetan las advertencias sobre seguridad y las instrucciones en la Guía del usuario se pueden ocasionar lesiones graves, muerte o daño al producto.

Puede obtener copias sin cargo de la Guía del usuario en www.haywardnet.com o llamando al (800) 227-1477.

⚠ Advertencia – Riesgo de Shock Eléctrico

La limpiadora automática de piscinas Hayward Phantom está diseñada para ser conectada a un adaptador de tubería con ranura hembra de 1-1/2 pulgada en una línea especial de retorno impulsada por una bomba cebadora de 3/4 H.P. Un electricista autorizado debe realizar la instalación de la bomba cebadora de la limpiadora. **La Bomba Cebadora debe ser instalada de acuerdo con todos los requisitos del Código Nacional de Electricidad y del código local. Su incumplimiento puede causar lesiones graves o muerte.**

⚠ Advertencia – Riesgo de lesiones

El incumplimiento de las siguientes advertencias sobre seguridad puede causar lesiones graves, muerte o daño a la propiedad.

- Siempre desconecte y retire la manguera limpiadora y la de presión antes de entrar a la piscina.
- Quite la soga de seguridad que separa el extremo menos profundo de la piletta del más profundo antes de hacer funcionar la limpiadora Phantom. Siempre vuelva a conectar la soga de seguridad antes de entrar a la piscina.
- Siempre trátela con cuidado. No permita que los niños o las mascotas jueguen con la limpiadora, no se trata de un juguete.
- Siempre **APAGUE** la bomba cebadora antes de usar la limpiadora.
- No la haga funcionar fuera de la piscina. La limpiadora Phantom y las mangueras contienen chorros de agua a alta presión que pueden causar lesiones.
- Desconecte la manguera de presión del adaptador universal a la pared antes de retirar la limpiadora de la piscina.
- **Nunca** dirija los chorros de alta presión, la manguera de presión, el manómetro o la manguera de barrido de la limpiadora hacia una persona o una mascota.

Información importante

⚠ Precaución – Riesgo de daño del equipo

- Siempre encienda la bomba de filtrado **antes** de encender la bomba cebadora. Si se hace funcionar la bomba cebadora en seco esta se dañará y se perderá la cobertura de la garantía Hayward.

- Siempre desconecte y retire de la piscina la limpiadora Phantom y las mangueras antes de realizar la limpieza o retrolavado del filtro de la piscina.
- Después de la limpieza y retrolavado del filtro de la piscina, deje el sistema de filtro encendido por lo menos durante cinco minutos o hasta que haya salido toda la basura de las líneas de tuberías antes de volver a conectar la limpiadora Phantom.
- Se deben limpiar las líneas de tuberías nuevas antes de conectar la limpiadora Phantom.
- No se debe utilizar la limpiadora Phantom para eliminar el polvo del yeso o la basura resultante de la construcción o renovación de la piscina.
- No se debe utilizar la limpiadora Phantom para eliminar grandes cantidades de arena (basura densa) después de vientos o tormentas de arena.
- Siempre desconecte y retire la limpiadora Phantom y las mangueras antes de agregar productos químicos a la piscina.
- Sólo haga funcionar la limpiadora Phantom durante el período de tiempo necesario para limpiar la piscina. El uso excesivo es innecesario y producirá el desgaste prematuro de las piezas de la limpiadora.
- Controle regularmente la limpiadora y las mangueras, no la utilice si presenta daños o bordes burdos visibles, esto puede causar daños a la piscina.
- Levante la limpiadora Phantom por el ala (pieza A, página 4), nunca por la manguera o la bolsa.

Descargo de responsabilidades

- Los años y los productos químicos para el agua al igual que otros factores afectan el yeso de la piscina.
- El yeso de la piscina se puede deteriorar con el transcurso del tiempo.
- La integridad de un "buen" yeso para piscinas es tal que una aspiradora de piscinas – automática o manual – no puede sacarlo.
- La integridad de un "buen" yeso para piscinas es tal que el yeso producirá desgaste en la limpiadora pero no a la inversa.
- Los años, el sol, y la composición química del agua afectan el revestimiento de vinilo de las piscinas.
- El vinilo se puede volver quebradizo y frágil.
- La instalación y el entorno de la piscina pueden afectar el revestimiento de vinilo de la piscina.
- La calidad de la estructura del revestimiento de vinilo para piscinas varía.
- Al instalar la limpiadora Phantom, usted se hace responsable del estado del entorno de la piletta y de sus productos químicos.

| | |
|--|------------|
| Instrucciones importantes de seguridad | .22 |
| Descargo de responsabilidades | .22 |
| Introducción | .24 |
| Para su registro | .24 |
| Piezas principales | .25 |
| Preparación de la Piscina | .26 |
| Línea de retorno especial | .26 |
| Herramientas necesarias para la instalación | .26 |
| Conexión de la limpiadora Phantom a la piscina | .27 |
| Instalación del adaptador universal para pared | .27 |
| Armado y medición de la manguera rígida de presión | .28 |
| Conexión de la manguera rígida de presión | .29 |
| Desconexión de una manguera | .29 |
| Conexión de la manguera a la pared | .29 |
| Uso de la limpiadora Phantom | .30 |
| Ajuste de la presión | .30 |
| Bolsa de basura de gran capacidad | .31 |
| Sujeción de la bolsa de basura | .31 |
| Retiro de la bolsa de basura | .31 |
| Vaciado de la bolsa de basura | .31 |
| Arena (basura densa) | .31 |
| Uso correcto de la limpiadora Phantom | .32 |
| Movimiento | .32 |
| Giro | .32 |
| Manguera de barrido | .32 |
| Limpieza | .32 |
| Basura fina | .32 |
| Arena (basura densa) | .32 |
| Manguera de presión | .32 |
| Ajustes de la limpiadora Phantom | .33 |
| Cambio de la frecuencia de giro | .33 |
| Cambio de la leva de giro | .33 |
| Ajuste de la duración de giro | .33 |
| Cambio de la función superficie y fondo | .34 |
| Ajuste de la potencia de la manguera de barrido | .34 |
| Mantenimiento | .35 |
| Retiro de la limpiadora Phantom de la piletta | .35 |
| Vaciado de la bolsa de basura | .35 |
| Limpieza del filtro en línea | .35 |
| Manguera de barrido | .36 |
| Conservación de la limpiadora Phantom | .36 |
| Acondicionamiento para el invierno | .36 |
| Condiciones periódicas de temperaturas bajo cero | .36 |
| Solución de problemas | .37 |
| Bomba cebadora | .38 |
| Diagrama de las piezas y nómina de los repuestos de la limpiadora Phantom | .39 |
| Garantía limitada | .40 |

Felicitaciones por comprar la Limpiadora Automática de Piscinas Hayward Phantom. La Hayward Phantom es la única verdadera limpiadora de piscinas. La limpiadora Phantom está diseñada no sólo para limpiar el fondo y los laterales de su piscina, sino también para limpiar la superficie – y todo de manera automática.

Este revolucionario diseño presenta las siguientes características:

- **Limpeza más rápida**
 - Boquilla aspiradora más grande
 - Potente manguera de barrido
- **Mayor recolección de basura**
 - Mayor boca de aspiración
 - Tres chorros de agua a alta presión
- **Limpeza menos frecuente de la bolsa**
 - Bolsa de gran capacidad
 - Bolsa de basura fácil de retirar, limpiar y reemplazar
- **Cobertura completa de la piscina**
 - Propulsión de agua a chorro AquaDrive™
 - Limpeza y giro no selectivo
 - Barre la basura de los escalones al limpiar la superficie
- **Limpia el fondo y los laterales de su piscina y retira la basura de la superficie**
 - Ascenso y descenso automático
 - Elección de limpieza sólo del fondo y de los laterales o sólo de la superficie
- **Menor desgaste de la superficie de la piscina**
 - Propulsión de agua a chorro AquaDrive sin ruedas impulsadas que desgasten la superficie de la piscina
- **Instalación fácil**

Un programa de garantía limitada protege su limpiadora Hayward Phantom. Para disfrutar plenamente de su garantía limitada, por favor lea, complete y remita la Tarjeta de Registro de Garantía Limitada dentro de los 14 días de la fecha de compra. Su tarjeta de garantía se encuentra dentro de la Guía del usuario.

Importante

Esta Guía del usuario es para los dueños que quieren instalar su Limpiadora Automática de Piscinas Phantom. Sin embargo, se recomienda que un Representante Autorizado de Hayward realice la instalación de la limpiadora.

La Bomba Cebadora Hayward 5060 adquirida por separado o como parte de la Limpiadora Automática de Piscinas Phantom brinda un rendimiento de limpieza óptimo. Puede obtener un rendimiento aceptable si utiliza una bomba cebadora con un suministro mínimo de 35 libras por pulgada cuadrada (PSI) a 12 galones por minuto (GPM) en el adaptador de la línea especial de la pared de la piscina. Remítase a la Guía del usuario que viene con la Bomba Cebadora Hayward 5060 para obtener información sobre los procedimientos para la instalación eléctrica y de tuberías.

Para su registro

Fecha de compra

Número de serie
(en la parte posterior de la limpiadora)

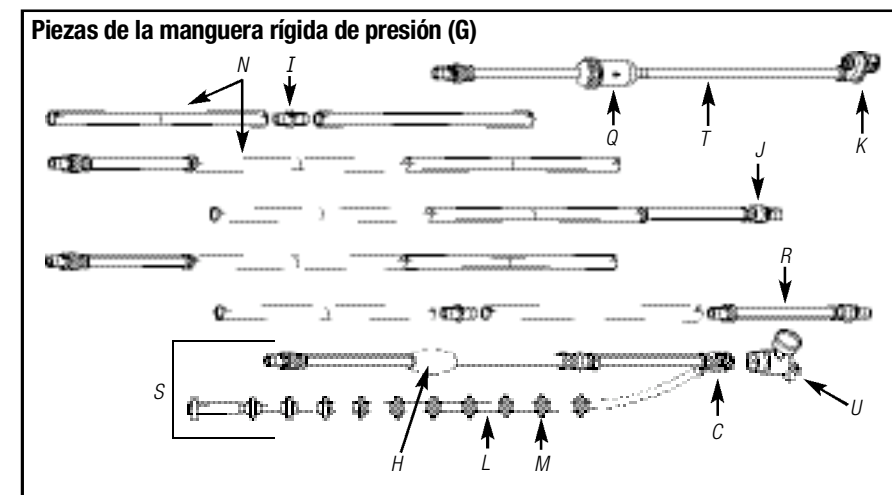
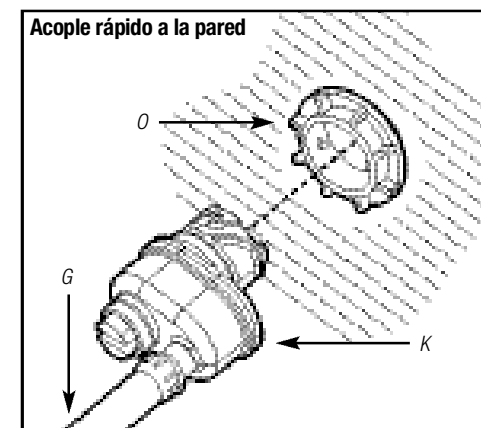
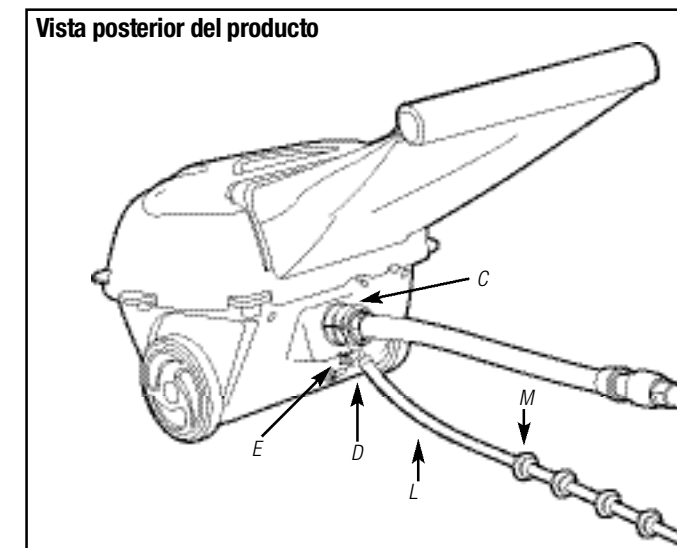
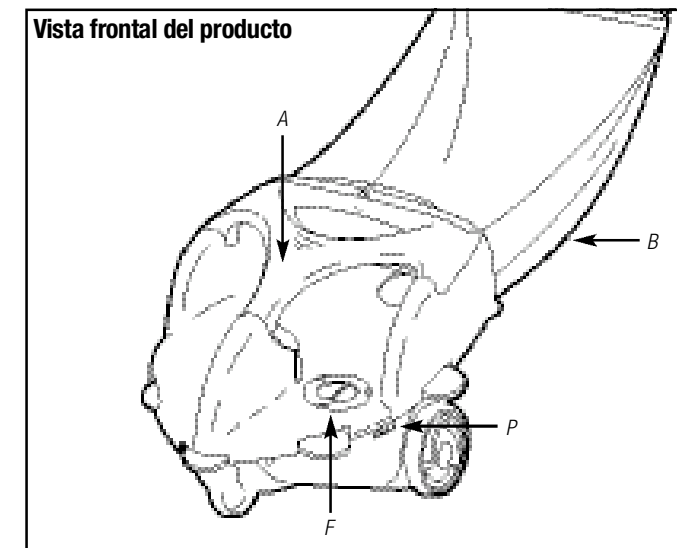
Número de mangueras rígidas armadas en uso

Lectura del manómetro

⚠ Precaución – Riesgo de daño del equipo

La manguera se puede guardar plegada por tubería. Sólo se debe guardar derecho, **sin enrollarse**, el primer tramo de 3 pies de largo de la manguera y la manguera de barrido.

- A. Ala
- B. Bolsa para basura de gran capacidad con cierre desplazable
- C. Conector a la limpiadora
- D. Conector de la manguera de barrido
- E. Botón de ajuste de la manguera de barrido
- F. Tapa de levas
- G. Manguera rígida para presión
- H. Flotador de manguera
- I. Conexión de mangueras
- J. Placa giratoria de la manguera
- K. Acople rápido a pared ajustable
- L. Manguera de barrido
- M. Rodillo protector
- N. Manguera
- O. Adaptador universal para pared
- P. Interruptor Top/Auto/Bottom (superficie/automático/fondo)
- Q. Filtro en línea
- R. Montaje de la placa giratoria de la manguera
- S. Montaje del extremo limpiador de la manguera
- T. Montaje del extremo de la manguera a la pared
- U. Manómetro



No se debe utilizar la limpiadora Phantom para limpiar la piscina para la puesta en marcha en primavera hasta que se hayan realizado los siguientes pasos:

1. Sacar de la piscina cualquier objeto que pudiera interferir con el funcionamiento de la limpiadora.
2. Verificar que el nivel del agua sea el recomendado.
3. Verificar la composición química del agua. El agua debe tener un equilibrio correcto (nivel de ph) y la piscina no debe tener algas.

Nota: Las algas pueden afectar adversamente el funcionamiento y rendimiento de la limpiadora.

4. Realice la limpieza o retrolavado del sistema de filtro sin la limpiadora Phantom en la piscina.

⚠ Precaución – Riesgo de daño del equipo

Siempre desconecte la limpiadora Phantom y las mangueras del adaptador universal a la pared y retírelas de la piscina antes del retrolavado o limpieza del sistema de filtro. Si no lo hace así, puede dañar la bomba cebadora y la limpiadora.

5. Limpie la canasta de la bomba del sistema de filtro.

Nota: Después de instalar la limpiadora Phantom, limpie el sistema de filtro regularmente según el estado de cada piscina.

Construcción de una piscina nueva

1. Cepille la superficie de la piscina recién construida y aspire manualmente la basura nueva de la superficie antes de instalar la Phantom.

Arena (basura densa)

Siempre vacíe la bolsa Phantom si la arena (o basura pesada) afecta la estabilidad de la limpiadora

Las piscinas con demasiada arena deben ser aspiradas antes de que se instale la Phantom.

Línea de retorno especial de la bomba cebadora

La limpiadora está diseñada para ser conectada a una línea especial de retorno de 1-1/2 pulgada ubicada a un mínimo de 6 pulgadas por debajo del nivel normal del agua con una rosca hembra de 1-1/2 pulgada. Si la línea especial de retorno tiene una rosca hembra de 3/4 de pulgada, será necesario que compre un adaptador NPT hembra 1-1/2" x NPT macho 3/4".

Herramientas necesarias para la instalación

- Destornillador de hoja plana para ajustar el regulador en el acople rápido a pared.
- Cinta de medir para las mangueras rígidas de presión (incluida en la bolsa 1).

Instalación del Adaptador universal para pared

Constructores: Instale la línea especial de retorno en el punto medio de la pared larga de la piscina.

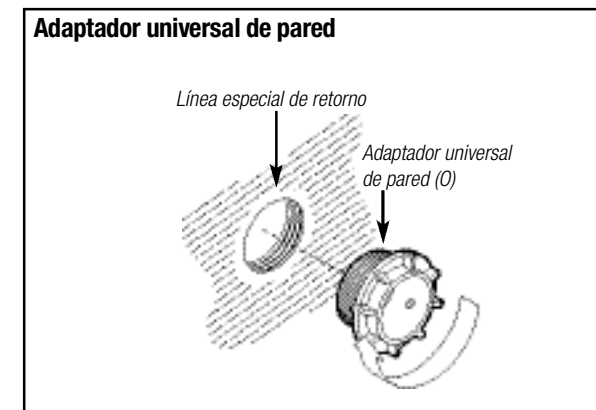
Especificación: Línea especial de retorno en la pared de la piscina.

Profundidad: Un mínimo de 6 pulgadas por debajo del nivel del agua.

Tamaño: Rosca NPT hembra 1-1/2"

1. Purgue las líneas de tuberías antes de continuar.
2. **APAGUE** la bomba cebadora y la bomba principal del filtro.
3. Retire el adaptador universal a pared existente de la instalación de una limpiadora de piscina anterior (si hubiera).
4. Retire el adaptador universal a pared y la cinta de Teflon® de la bolsa 1.
5. Al instalar o reinstalar el adaptador universal a pared (pieza O), utilice la cinta de Teflon® en la rosca de plástico. Deje las dos primeras roscas del extremo del adaptador universal a pared sin cinta.
6. Enrosque el adaptador universal a pared en la línea especial de retorno.

Importante: Dé al adaptador universal para pared 1 giro completo para acoplar las roscas iniciales. Asegúrese que ambas partes estén correctamente enroscadas (sin roscas cruzadas) y luego reanude el ajuste - sólo ajuste manual. El adaptador universal de pared puede no enroscarse del todo en la línea especial de retorno.



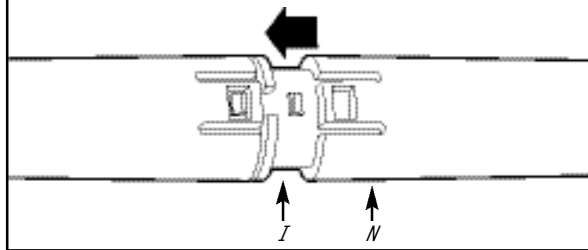
No ajuste de más.

Teflon® es una marca registrada de E.I. du Pont de Nemours and Company

Armado y medición de la manguera rígida de presión

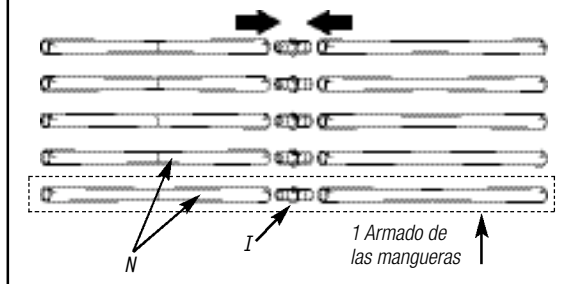
1. Abra la bolsa plástica marcada #1 que contiene 10 mangueras rígidas (pieza N) y 5 conexiones para mangueras (pieza I).
2. Lubrique las 5 conexiones de manguera sumergiéndolas en agua jabonosa.
3. Alíñe la conexión de manguera y la manguera rígida y acóplelas. Asegúrese de que el anillo tórico negro no se salga de la ranura en la conexión de la manguera (si se ve el anillo a través del orificio de cierre al acoplar las mangueras, el anillo se ha salido de la ranura y goteará).

Conexión de mangueras



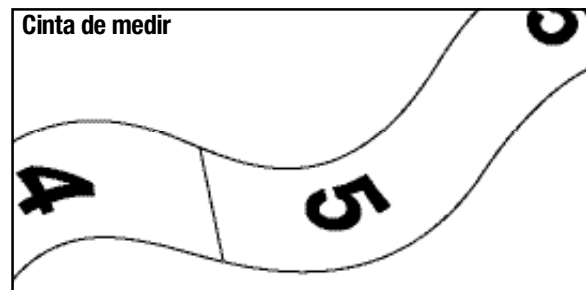
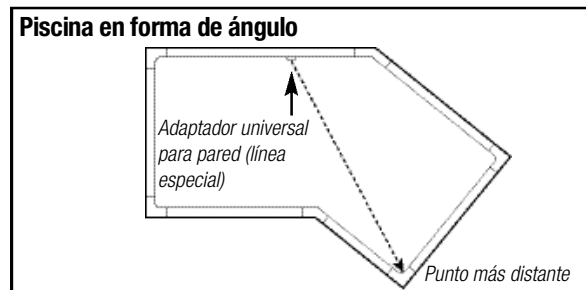
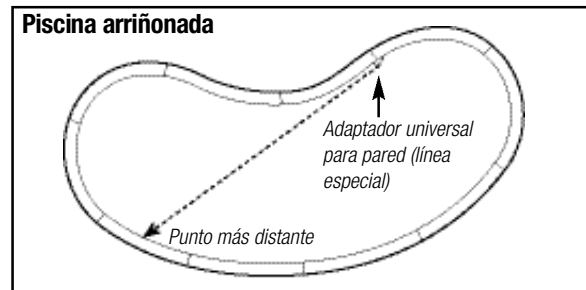
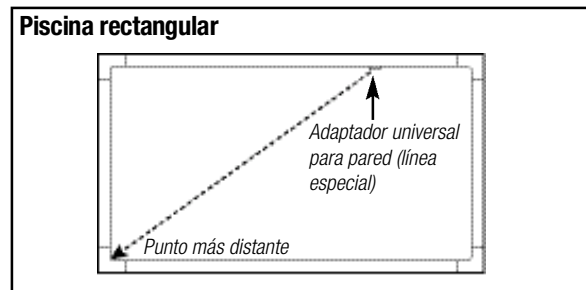
4. Conecte 1 manguera rígida a cada extremo de las conexiones de manguera y arme 5 juegos de mangueras.

Armado de mangueras rígidas



5. Busque la "Cinta de medir" (en la bolsa 1), asegure el extremo de la cinta que dice "extremo del acople a la pared" en la albardilla de la piscina justo arriba del adaptador universal para pared.
6. Desenrolle la cinta de medir, camine alrededor de la piscina hasta el punto más distante por la pared de la piscina desde el adaptador universal para pared.

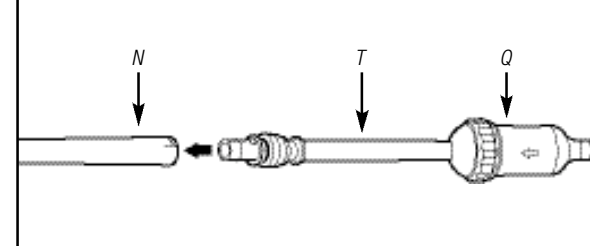
En el punto más alejado del adaptador universal para pared sostenga la cinta de medir en el borde o albardilla de la piscina y lea el número de tramos de mangueras especificadas en la cinta.



- a. **Nota:** Si la cinta de medir especifica más de 5 tramos de manguera, será necesario que compre tramos adicionales (Número de pieza AX6000HE) en su Representante autorizado de Hayward.
- b. Si la cinta de medir especifica menos de 5 mangueras armadas, aparte las otras.

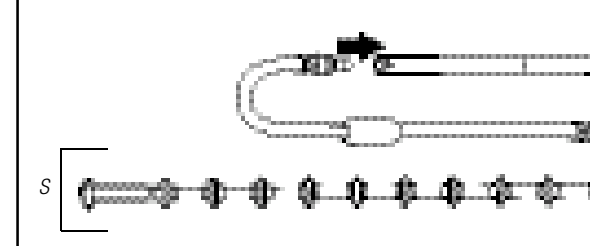
7. Lubrique la placa giratoria en el montaje a la pared del extremo de la manguera de 3 pies (pieza T) en agua jabonosa y luego introdúzcala en una de las mangueras armadas.

Montaje del acople a la pared



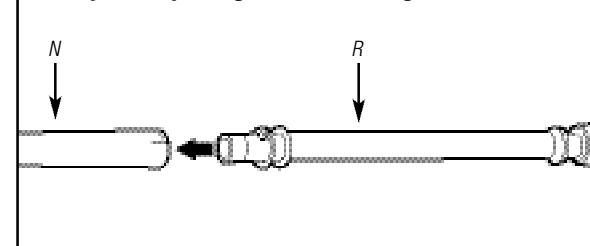
8. Lubrique la placa giratoria en el montaje del extremo limpiador de la manguera (pieza S) en agua jabonosa y acóplela a otra manguera armada.

Montaje del extremo limpiador de la manguera

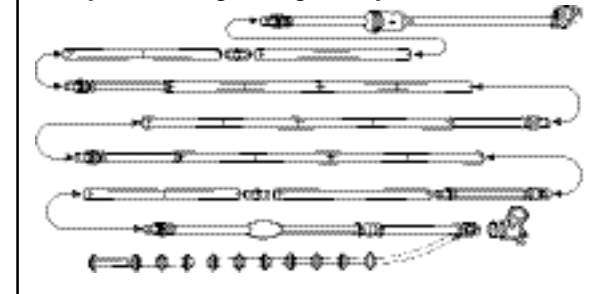


9. Abra la bolsa 2 y lubrique ambos extremos del montaje de la placa giratoria de la manguera (pieza R) en agua jabonosa. Conecte las mangueras armadas introduciendo los montajes de las placas giratorias en cada una de las mangueras.

Montaje de la placa giratoria de manguera



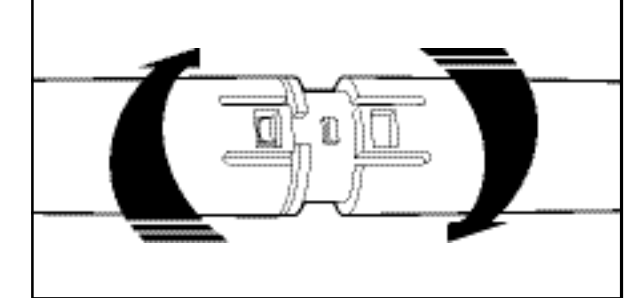
Montaje de la manguera rígida de presión



Desconexión de una manguera

Si necesita acortar, alargar o reemplazar un elemento de la manguera rígida de presión, se pueden liberar los encajes a presión si se rotan las mangueras de la manera indicada.

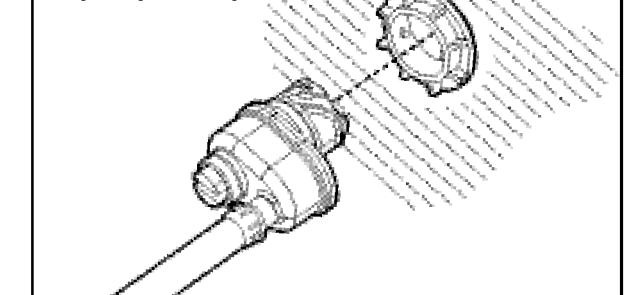
Desconexión de las mangueras



Conexión de la manguera al adaptador para pared

1. Con la bomba cebadora y el sistema de filtrado **APAGADOS**, desde la terraza de la piscina mire hacia abajo y sostenga el acople rápido a la pared de manera que la manguera quede a la izquierda y el botón de ajuste a la derecha. Introduzca el acople rápido a la pared dentro del adaptador universal para pared y gírelo a la izquierda (en dirección contraria a las agujas del reloj) para bloquearlo. La manguera debe quedar debajo del botón de ajuste.
2. Tire el acople rápido a la pared hacia afuera para verificar que haya quedado bloqueado dentro del adaptador universal para pared.
3. Para **desconectar** la manguera, primero **APAGUE** la bomba cebadora y la del filtro, luego presione el acople rápido a pared hacia la pared, gírelo hacia la derecha (en el sentido de las agujas del reloj) y tire el acople hacia fuera del adaptador.

Acople rápido a la pared



⚠ Advertencia – Riesgo de lesiones

Las bombas de filtrado y de cebado deben estar **APAGADAS** al conectar o desconectar la manguera limpiadora.

⚠ Precaución – Riesgo de daño del equipo

Siempre se debe hacer funcionar la bomba del filtro para eliminar el aire del sistema antes de **ENCIENDER** la bomba cebadora. **Nunca haga funcionar** la bomba cebadora sin que la bomba del filtro principal esté **ENCIENDIDA**. Si se hace funcionar la bomba cebadora en seco se la dañará y la garantía quedará invalidada.

Uso de la limpiadora Phantom

1. Asegúrese de que todas las válvulas del sistema de filtrado estén abiertas y suministren agua a la bomba cebadora.
2. Asegúrese de que las válvulas de entrada y salida de la bomba cebadora y la línea especial de retorno estén completamente abiertas.
3. La limpiadora Phantom y su bomba cebadora sólo pueden funcionar cuando la bomba del filtro de la piscina está en funcionamiento.

⚠ Precaución – Riesgo de daño del equipo

Si no se abren las válvulas completamente y/o no se pone en funcionamiento el sistema de filtrado, la bomba cebadora se dañará. Este daño invalida la garantía de la bomba cebadora.

Ajuste de la presión

Importante: La limpiadora no funcionará bien si no se ajusta la presión correctamente. Un ajuste de muy poca presión no permitirá el movimiento y la limpieza correctos. Un ajuste con demasiada presión provocará una limpieza insatisfactoria y un desgaste prematuro de las piezas de la limpiadora.

⚠ Advertencia – Riesgo de lesiones

Asegúrese de mantener bajo agua al conector limpiador (pieza C) con el manómetro (pieza U) adherido y de que no se produzca aspersión por el agujero del manómetro o por la manguera de barrido. **Nunca** dirija un chorro o una manguera hacia personas o mascotas.

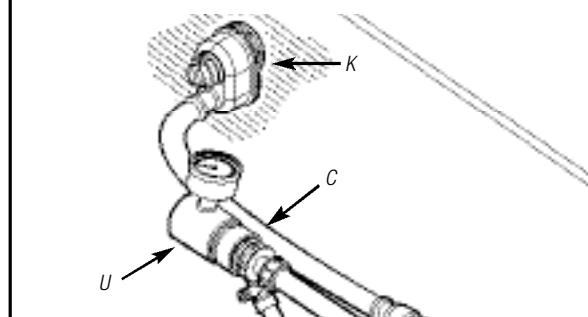
Sujete el manómetro a la manguera cerca del acople rápido a pared.

1. **ENCIENDA** la bomba del sistema de filtro y luego la bomba cebadora. Lea la presión en el manómetro sujeto al conector limpiador. Utilice un destornillador de hoja plana para ajustar la perilla del acople rápido a pared hasta lograr una PSI 25 (+/- 5 PSI).

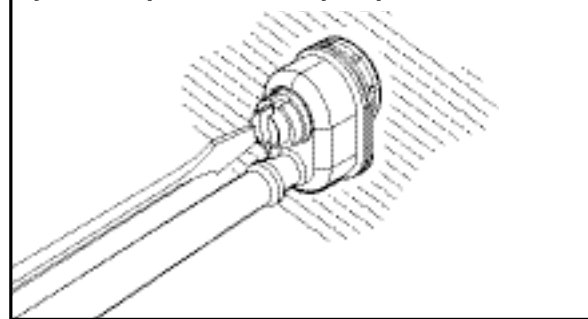
Nota: El acople rápido a pared se puede ajustar desde "0" (completamente cerrado) hasta "5" (completamente abierto). **NO** fuerce el botón de ajuste más allá de "0" o "5".

2. Si el acople a la pared está en la posición "5" (completamente abierto) y la presión continúa por debajo de 20 PSI, verifique si la canasta de la bomba del filtro, el sumidero o la canasta del skimmer están obstruidos para saber por qué no hay suficiente presión en el agua en la línea especial. Si aún se necesita más presión, haga que una persona del servicio oficial de Hayward o del representante autorizado controle y determine el funcionamiento correcto de la bomba cebadora, del sistema de filtro y de las tuberías.
3. **APAGUE** la bomba cebadora y la bomba de filtrado.
4. **Retire el manómetro** del conector limpiador. Guarde el manómetro con la Guía del usuario en un lugar seguro.
5. Acople el conector limpiador a la limpiadora. La manguera de barrido debe estar directamente por debajo de la manguera de presión.
6. Coloque la limpiadora en la piscina, **ENCIENDA** el sistema de filtro y luego **ENCIENDA** la bomba cebadora.

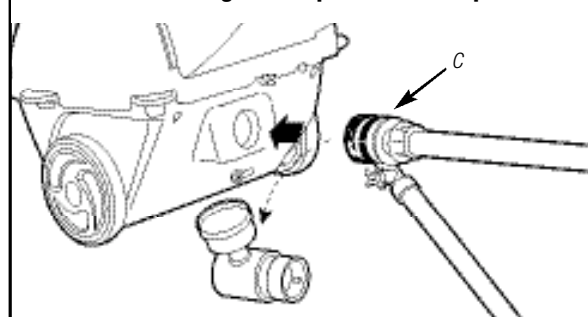
Manómetro y Acople a pared



Ajuste de la presión en el acople a pared



Conexión de la manguera de presión a la limpiadora



Utilice solamente repuestos genuinos Hayward.

Sujeción de la bolsa de basura

1. Coloque el marco de la bolsa de basura contra la parte posterior de la limpiadora como se indica.
2. Presione las esquinas superiores del marco.
3. Presione el centro superior del marco para bloquear la bolsa de basura.

Retiro de la bolsa de basura

1. Tire de la parte superior del marco de la bolsa de basura hacia atrás (1) y luego hacia arriba (2).

Nota: Si permite que la bolsa se seque, será más fácil retirar la basura.

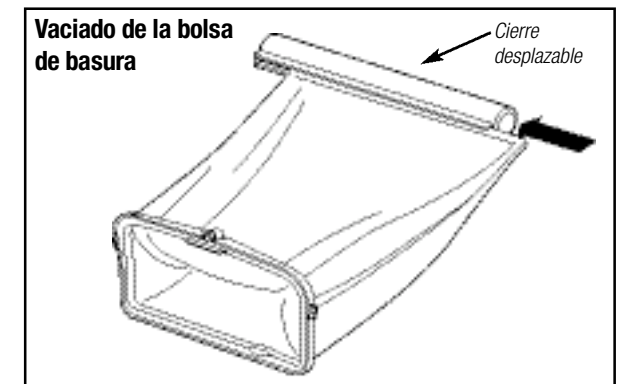
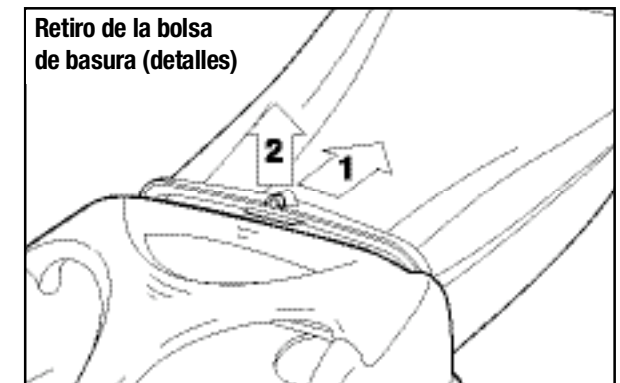
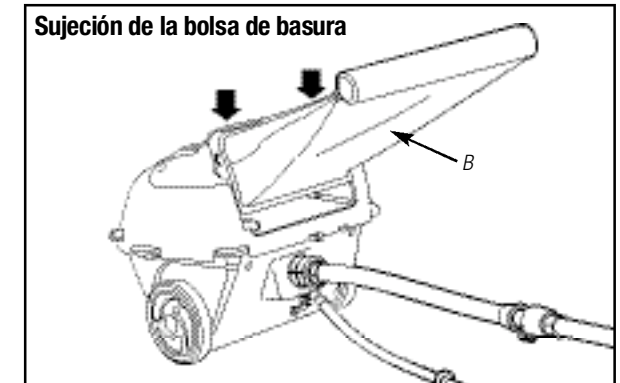
Vaciado de la bolsa de basura

1. Sostenga la bolsa por encima del tacho de basura o donde sea que vaya a colocar la basura.
2. Deslice y desprenda de la bolsa el cierre desplazable.
3. Mantenga los bordes separados y sacuda la basura de la bolsa.
4. Deslice el cierre desplazable a la bolsa.

Arena (basura densa)

Si se acumula mucha arena o restos pesados en la bolsa, ésta "colgará" sobre la manguera mientras esté en el fondo y es posible que no pueda subir correctamente a la superficie. Si observa que la bolsa está colgando sobre la manguera apague la bomba cebadora y vacíe la bolsa.

Nota: Las piscinas con demasiada arena deben ser aspiradas antes de que se instale la Phantom.



Movimiento

Si está funcionando correctamente y el interruptor se encuentra en la función "AUTO" la limpiadora Phantom se deslizará libremente por el fondo, los laterales y la superficie de la piscina. La limpiadora realizará una limpieza del fondo y de las paredes en 2/3 de su ciclo y de la superficie en 1/3 de su ciclo. En la función "TOP" o "BOT", la limpiadora permanecerá en la función Superficie o Fondo y Paredes (respectivamente) hasta que se cambie la función en el interruptor.

Giro

La limpiadora se detendrá y rotará periódicamente en el sentido de las agujas del reloj para brindar una mejor cobertura de la piscina y escapar de las esquinas o de otros obstáculos. Si la limpiadora se detiene momentáneamente en una esquina o en un obstáculo, girará para liberarse y continuará moviéndose libremente por la piscina. La leva de giro determina la frecuencia de los giros. La limpiadora está equipada con 3 levas de giro; cada 75, 50 (instalada de fábrica) o 30 segundos (las de 75 y 30 segundos están en la bolsa de accesorios). Para cambiar la frecuencia de los giros ver "Cambio de la leva de giro".

Manguera de barrido

La manguera de barrido se debe mover con un movimiento lento, ondulante (como el de una serpiente). Corre la basura en las esquinas estrechas para que la limpiadora pueda aspirarla en un lugar más accesible de la piscina. La manguera de barrido también levanta la basura fina y la deja suspendida para que el sistema de filtro la lleve. **Los rodillos de la manguera de barrido son piezas protectoras.** Cuando su desgaste llegue a la ranura externa (línea de desgaste) reemplácelos (N. pieza AX5006A), hay una bolsa con rodillos protectores. Si se produce un agujero en la manguera de barrido, es necesario reemplazarla por una manguera de barrido genuina Hayward Phantom (N. pieza AX5000RSHA).

Limpieza

Cuando la limpiadora se encuentra en el fondo o en las paredes, la basura se aspira por debajo de la limpiadora y pasa a través del caño de aspiración a la bolsa de la basura. Cuando la limpiadora está limpiando la superficie (skimmer) los chorros de agua empujan la basura a la bolsa donde queda hasta que el usuario la vacíe. Es posible que la limpiadora no recoja toda la basura en la primera pasada, pero su piscina estará limpia en un máximo de 3 horas (según el tamaño y la forma de la piscina y la cantidad de basura).

Observe el funcionamiento de la Phantom regularmente y vacíe la bolsa si es necesario. Sólo haga funcionar la limpiadora Phantom durante el período de tiempo necesario para limpiar la piscina. El uso excesivo es innecesario y producirá el desgaste prematuro de las piezas de la limpiadora.

Basura fina

La bolsa de basura de gran capacidad, al igual que otras limpiadoras con pared de carga, no retendrá la arena muy fina ni otra basura semejante al polvo. El polvo saldrá de la bolsa y quedará suspendido y podrá ser filtrado por el sistema de filtro de la piscina.

Arena (basura densa)

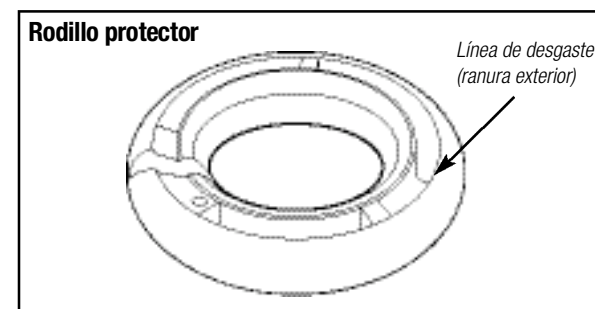
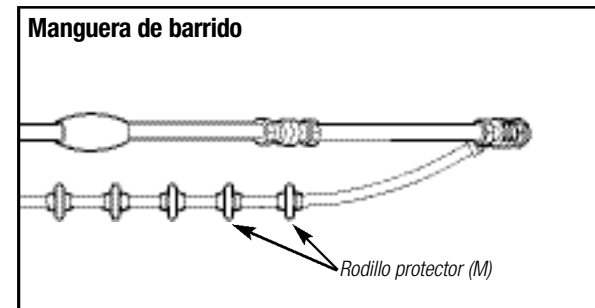
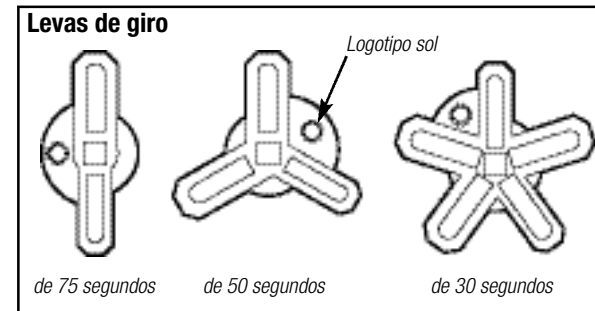
Si se acumula mucha arena o restos pesados en la bolsa, ésta "colgará" sobre la manguera mientras esté en el fondo y es posible que no pueda subir a la superficie. Si observa que la bolsa está colgando sobre la manguera apague la bomba cebadora y vacíe la bolsa.

Las piscinas con demasiada arena deben ser aspiradas manualmente antes de que se instale la Phantom.

La limpiadora Phantom está diseñada para funcionar con 1/2 taza de arena y el resto de la bolsa con hojas, bellotas, pasto, etc.

Manguera de presión

Esta manguera ha sido diseñada para minimizar la formación de lazadas y nudos. La mayor parte de la manguera de presión debe quedar por debajo de la superficie del agua durante casi todo el tiempo. Si se forma una lazada en la manguera, la limpiadora eventualmente la destrabará. En el eventual y extraño caso de que la manguera se anude o se enrede, la limpiadora se encontrará limitada en su alcance. Para obtener una cobertura óptima, si existen nudos o enredos deshágalos.



Utilice solamente repuestos genuinos Hayward.

⚠ Advertencia – Riesgo de lesiones

Apague la bomba cebadora y la bomba de filtrado antes de realizar ajustes a la limpiadora. Realice los ajustes siempre fuera de la piscina. Si no lo hace puede causar lesiones.

Cambio de la frecuencia de giro

- En la mayoría de las piscinas no será necesario cambiar la frecuencia de giro.
- La limpiadora viene con una leva de giro de 3 puntas que hace que la limpiadora Phantom gire una vez cada 50 segundos. Esto es apropiado para la mayoría de las piscinas.
- Las piscinas que son pequeñas o tienen esquinas pronunciadas u otros obstáculos se pueden beneficiar con giros más frecuentes. Para dichas piscinas, abra la tapa con leva y reemplace la leva de 3 puntas por la leva de 30 segundos de 5 puntas.
- Las piscinas que son muy grandes y/o tienen muy pocos obstáculos se pueden beneficiar con giros menos frecuentes. Para dichas piscinas, abra la tapa con leva y reemplace la leva de 3 puntas por la leva de 75 segundos de 2 puntas.
- El objetivo es maximizar el tiempo de limpieza y minimizar la cantidad de tiempo de giro.
- Si la limpiadora tarda mucho tiempo en un obstáculo a la espera de un giro, utilice una leva con más puntas para giros más frecuentes.
- Si la limpiadora casi nunca necesita girar cerca de un obstáculo, entonces una leva con menos puntas y giros menos frecuentes aumentará el tiempo de limpieza efectivo.
- Si la limpiadora tiende a permanecer en el extremo profundo (sin limpiar suficientemente el extremo menos profundo), en piscinas con pendientes pronunciadas o largas entre los extremos profundo y menos profundo, se recomienda utilizar una leva con pocas puntas, eso facilitará pasadas derechas más largas.

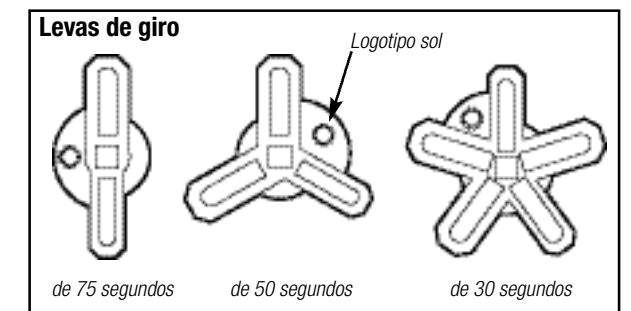
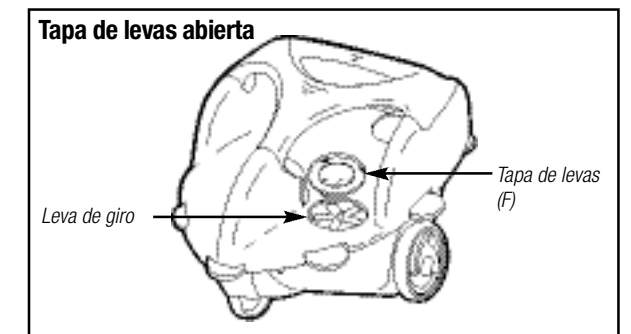
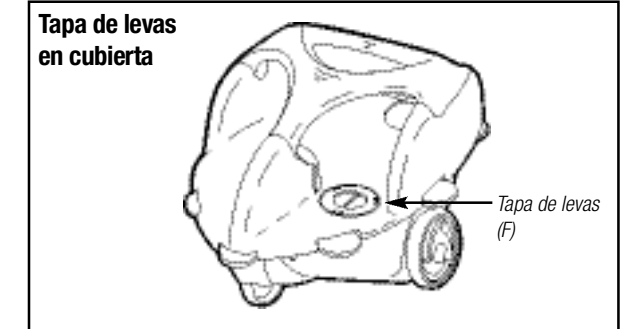
Cambio de la leva de giro

1. Para abrir, gire la tapa de levas en el sentido contrario a las agujas del reloj.
2. Retire la leva de giro.
3. Coloque la leva deseada en su lugar sobre el vástago.
4. Coloque las levas sin usar en la bolsa de accesorios y guárdela en un lugar seguro con la guía del usuario.
5. Cierre la tapa de levas.

Ajuste de la duración de giro

Cada leva tiene un lado "Verano" y uno "Invierno" (vea los logotipos de sol y copo de nieve en cada leva). Generalmente se prefiere el lado Verano. Si el agua de la piscina está fría (por debajo de los 60°F), la manguera de presión se pone rígida y puede evitar que la limpiadora gire lo suficiente para escapar de los obstáculos. El lado de la leva "Invierno" proporcionará giros más prolongados para que la limpiadora funcione mejor en agua fría.

1. Para abrir, gire la tapa de levas.
 2. Retire la leva, gírela y reemplace la leva de tal modo que el lado deseado (sol o copo de nieve) quede hacia arriba.
- Si la limpiadora hace más de tres intentos para escapar de un obstáculo, utilice el lado "Invierno" (copo de nieve).
 - Si la limpiadora gira regularmente más de los tres cuartos de la vuelta, utilice el lado "Verano" (sol).



Utilice solamente repuestos genuinos Hayward.

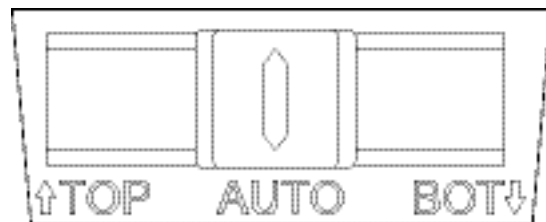
Cambio de la función superficie y fondo

El interruptor superficie/fondo (parte P, página 4) viene instalado de fábrica en "AUTO". La limpiadora Phantom aspirará el fondo de la piscina y los laterales 2/3 del ciclo y pasará por encima de la superficie 1/3 de su ciclo automáticamente.

La limpiadora se puede ajustar fácilmente para hacer que se concentre en aquellas zonas de la piscina donde haya más basura.

- Para limpiar **SOLAMENTE** el fondo y los laterales de la piscina, mueva el interruptor hacia la derecha a "BOT".
- Para limpiar la superficie de la piscina **SOLAMENTE**, mueva el interruptor hacia la izquierda a "TOP".

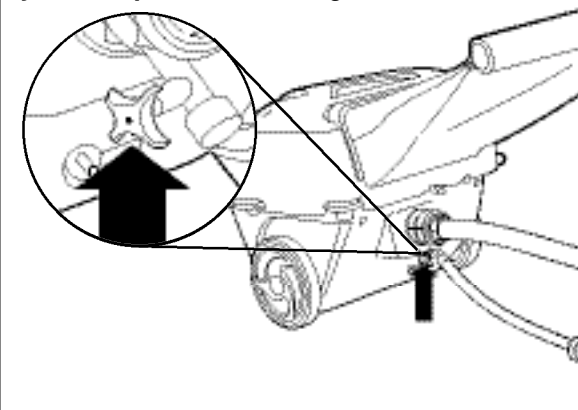
Interruptor TOP/AUTO/BOT



Ajuste de la potencia de la manguera de barrido

- En la mayoría de las piscinas no será necesario ajustar la potencia de la manguera de barrido.
- Observe el funcionamiento de la limpiadora Phantom en la piscina. La manguera de barrido se debe mover con un movimiento lento, ondulante (como el de una serpiente).
- **La manguera de barrido no se mueve:** Si la manguera de barrido no se mueve de lado a lado y sólo se arrastra detrás de la limpiadora, controle que no tenga agujeros. Controle que no haya basura detrás del botón de ajuste o en el extremo de salida de la manguera de barrido.
- **La manguera de barrido se mueve lentamente o dejó de moverse:** Gire el botón de ajuste en el sentido contrario a las agujas del reloj para incrementar la potencia de la manguera de barrido.
- **La manguera de barrido con frecuencia tira agua fuera de la piscina:** Gire el botón de ajuste en el sentido de las agujas del reloj para reducir la potencia de la manguera de barrido.
Nota: NO apague completamente la manguera de barrido. Esto puede hacer que la manguera se enrede o anude.

Ajuste de la potencia de la manguera de barrido



Retiro de la limpiadora Phantom de la pileta

⚠ Advertencia – Riesgo de lesiones

Las bombas de filtrado y de cebado deben estar **APAGADAS** al conectar o desconectar la limpiadora o la manguera.

1. **APAGUE** las bombas cebadora y de filtrado. Si usted no va a volver a poner la limpiadora antes del próximo ciclo del regulador de tiempo, **APAGUE** la bomba cebadora. **Nunca** pase la bomba cebadora sin que esté conectada a la limpiadora. **Si no lo hace así, puede causar lesiones graves.**

⚠ Precaución – Riesgo de daño del equipo

Nunca pase la bomba cebadora sin que esté conectada a la limpiadora. Si lo hace dañará el motor de la bomba e invalidará la garantía de la bomba cebadora.

2. Desde la terraza de la piscina, presione el acople rápido a la pared dentro del adaptador universal para pared y gírelo hacia la derecha (en el sentido de las agujas del reloj).
3. Tire y retire el acople rápido a pared del adaptador universal para pared.
4. Tome la limpiadora por el ala y retírela de la piscina.
5. Desconecte el conector limpiador de la limpiadora Phantom.
6. Deje los extremos limpiadores de la manguera de presión y de barrido sin basura y derechos.

Importante: Siempre guarde el extremo limpiador de la manguera de presión y la manguera de barrido derechos, **no enrollados**. La limpiadora puede no funcionar correctamente si estas mangueras están dobladas.

Vaciado de la bolsa de basura

- Vacíe la bolsa de basura regularmente. Detenga el funcionamiento de la Phantom si la bolsa está llena.
 1. Sostenga la bolsa por encima del tacho de basura o donde sea que vaya a colocar la basura.
 2. Deslice y desprenda de la bolsa el cierre desplazable.
 3. Mantenga los bordes separados y sacuda la basura de la bolsa.
 4. Deslice el cierre desplazable a la bolsa.
- **Arena (basura densa): Siempre vacíe la bolsa de basura Phantom cuando haya demasiada arena (o basura pesada).** Si la limpiadora no puede trepar a la superficie en el modo TOP o AUTO o la bolsa "cuelga" sobre la manguera **apague la bomba cebadora y vacíe la bolsa de basura.**
- Cuando la bolsa está llena de hojas u otros desechos, la basura puede retener aire en la bolsa mientras se limpia la superficie. Si la retención de aire no deja que la limpiadora descienda al fondo de la piscina, vacíe la bolsa de basura.

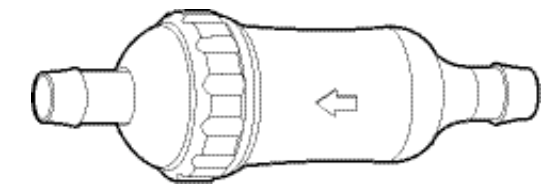
No haga funcionar la Phantom si realiza las pasadas sobre un costado o invertida.

Utilice solamente repuestos genuinos Hayward.

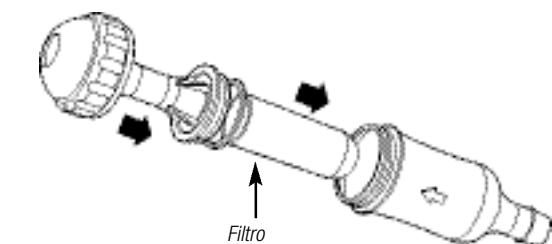
Limpeza del filtro en línea

1. El filtro en línea (pieza Q) se encuentra al lado del acople rápido a pared (pieza K).
2. Para retirar el filtro dentro del filtro en línea, desenrosque la tapa del filtro en línea y retírelo.
3. Retire la basura del filtro y enjuáguelo. **Importante:** Si el filtro se tapa con frecuencia, el sistema de filtrado no está funcionando correctamente o existe algún otro problema en la tubería.
4. Coloque el extremo abierto del filtro en el extremo de salida del filtro en línea y vuelva a enroscar la tapa **Importante:** Asegúrese de que el anillo tórico esté bien en su lugar.

Filtro en línea



Filtro en línea

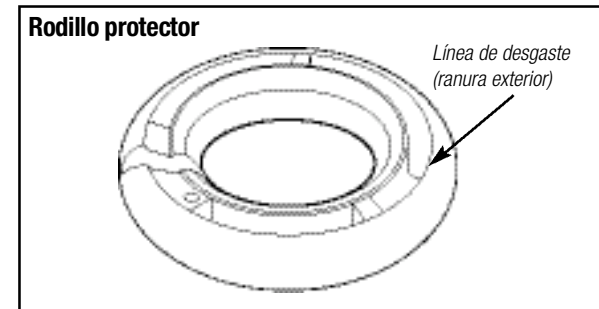


⚠ Precaución – Riesgo de daño del equipo

Nunca haga funcionar la limpiadora si el filtro no está en su lugar. Si se pone la limpiadora en funcionamiento sin que el filtro esté en su lugar se dañará el mecanismo interno de la limpiadora.

Manguera de barrido

- Las roldanas de protección de la manguera de barrido sufrirán desgaste si se usa la limpiadora en una piscina con revestimiento de yeso o de hormigón.
- Cuando las roldanas de protección presentan desgaste hasta la ranura externa (línea de desgaste) reemplácelas (N. de pieza AX5006A).
- Controle que la manguera de barrido no tenga agujeros (reemplácela si es necesario con N. de pieza: AX5000RSHA).



Algunas piezas sufriran desgaste con el uso regular. Para asegurar un rendimiento de alta calidad, exija **repuestos genuinos Hayward** (el uso de repuestos que no sean Hayward legítimos invalidará la garantía de la limpiadora Phantom). Las siguientes piezas están sujetas al desgaste normal y serán repuestas por el usuario.

- Manguera de barrido:** Si la manguera de barrido presenta un agujero, se la debe reemplazar. Desenrosque el dispositivo de sujeción metálico de la manguera y tire de la manguera de barrido (Número de repuesto del conector de la limpiadora: AX5000RSHA) para que se desprenda del conector limpiador. Acople una manguera de barrido nueva al conector limpiador.
- Bolsa para basura de gran capacidad con cierre desplazable:** Se debe reemplazar la bolsa de basura si se encuentra rota (Número de repuesto: AX6000BA).
- Placas giratorias:** Si al pasar la limpiadora una placa giratoria deja de rotar o pierde, se la debe reemplazar.

Conservación de la limpiadora Phantom

- APAGUE la bomba cebadora** y ajuste el regulador de tiempo para que la bomba cebadora no se encienda mientras la limpiadora Phantom está afuera de la pileta (**Nunca** haga funcionar la bomba cebadora si la limpiadora no está conectada).
- Desconecte el acople rápido a pared del adaptador universal para pared. Se puede dejar el adaptador universal de pared en su lugar.
- Se han utilizado los mejores materiales disponibles para el armado de la limpiadora, sin embargo, se recomienda que cuando se la retira de la piscina se la conserve sobre sus ruedas en un lugar llano y a la sombra para protegerla de una exposición excesiva al sol.
- Conserve la manguera de barrido y el montaje del extremo limpiador de la manguera (pieza S) derecho y sin basura, **sin enrollarse**. Los tramos de manguera rígida pueden plegarse uno sobre el otro para que entonces las mangueras cortas intercaladas se doblen. Si es posible, conserve las mangueras a la sombra.

Acondicionamiento de la limpiadora para el invierno

Al cerrar su piscina durante el invierno saque toda el agua de la limpiadora Phantom (mediante una rotación lenta en todas las direcciones) y de las mangueras. Conserve la limpiadora Phantom adentro para evitar la congelación de los mecanismos internos.

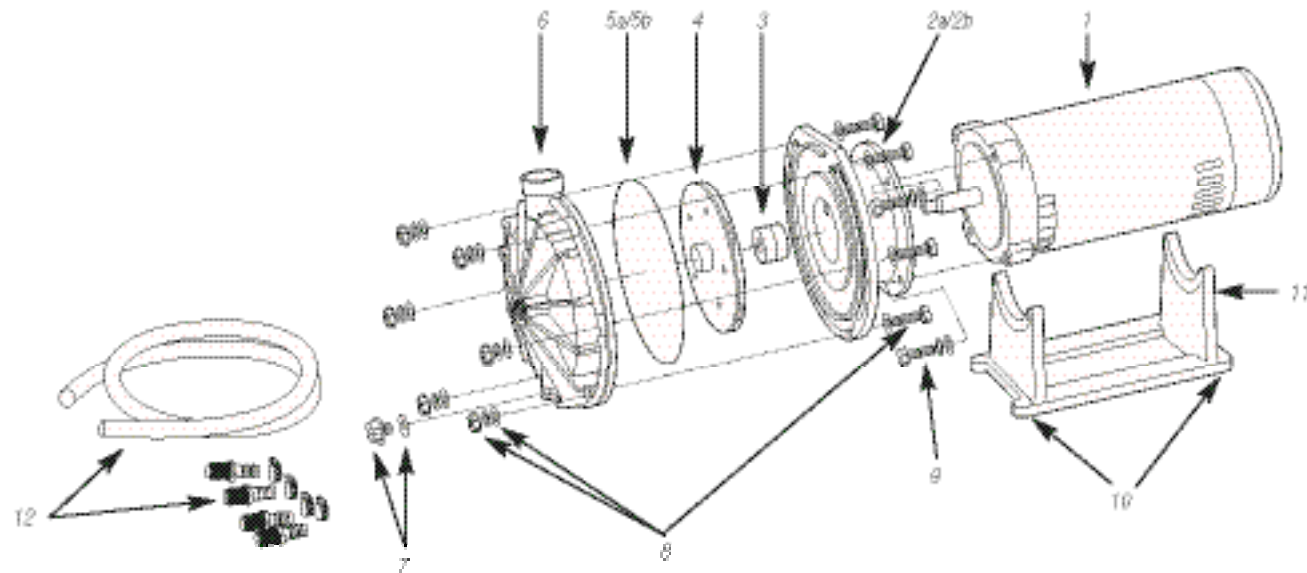
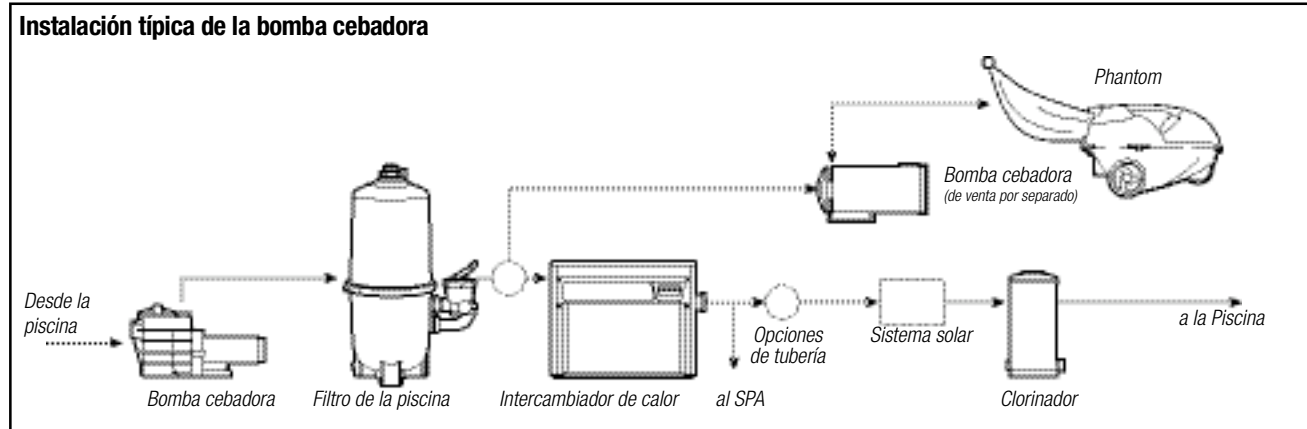
Condiciones periódicas de temperaturas bajo cero

Si se encuentra en una zona sujeta a condiciones periódicas de temperaturas bajo cero, y el equipo de la piscina se mantiene en funcionamiento, es importante que el sistema de filtro y la limpiadora Phantom estén en funcionamiento durante los momentos del día en que se sufren las temperaturas bajo cero más bajas (por lo general entre las 3AM y las 7AM). Al pasar la limpiadora Phantom en este momento, evitará que se dañe la limpiadora y que se congele el agua de la piscina.

Para recibir ayuda técnica llame:

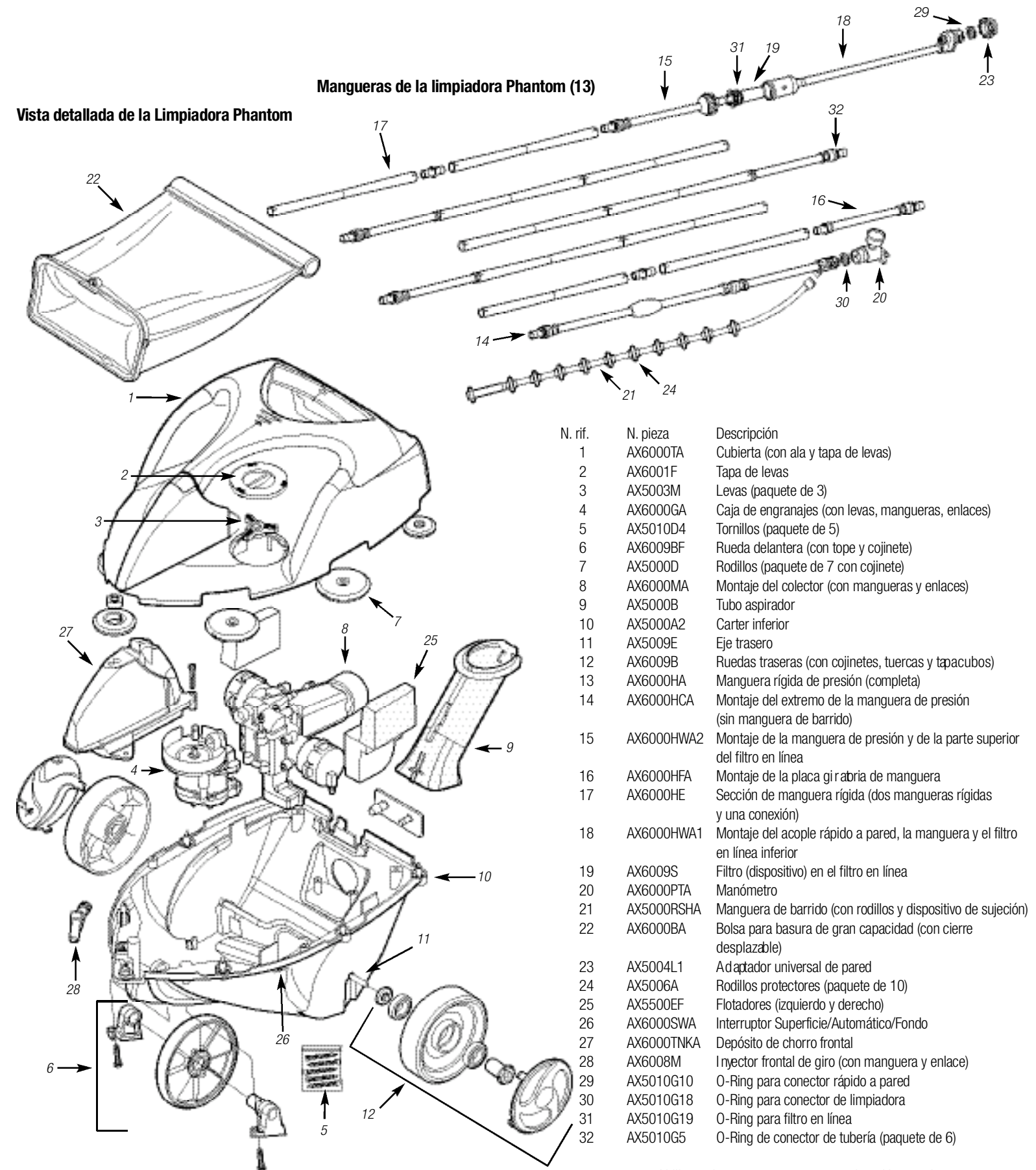
1-800-227-1477

| Problema | Causa | Solución |
|---|--|--|
| Movimiento lento o sin movimiento hacia adelante | Presión del agua nula o baja | Controle las bombas cebadora y de filtrado, las válvulas, y las conexiones de la limpiadora. Controle la presión limpiadora y el filtro en línea. (páginas 9 y 14) |
| No Gira | La leva no está correctamente instalada | Abra la tapa de levas. Controle que la leva este instalada correctamente. Cierre la tapa de la leva. (página 12) |
| | La caja de engranajes no gira | Con la limpiadora en funcionamiento, abra la tapa de levas y confirme si la leva está rotando. Si no rota, hágala cambiar (AX6000GA). |
| La limpiadora se atoró en la función TOP o BOTTOM | El interruptor no está en TOP/AUTO/BOT | Ponga el interruptor en la función deseada (TOP, AUTO o BOTTOM). |
| La limpiadora no llega a los puntos más alejados de la piscina | La manguera es demasiado corta | Controle el largo de la manguera (página 7). |
| La manguera se enrolla con frecuencia | El flotador no está colocado correctamente | Controle que el flotador esté en el centro de la manguera de dos pies de largo conectada a la tubería más próxima a la limpiadora. |
| | La manguera es demasiado larga | Controle el largo de la manguera (página 7). |
| | Los giros son demasiado largos y/o demasiado frecuentes | Controle la posición verano/invierno en la leva (página 12). Utilice una leva de giro con menos puntas (página 12). |
| La manguera de barrido no se mueve | La manguera de barrido no se mueve | Controle que la manguera de barrido no tenga agujeros o esté obstruida. Aumente la potencia de la manguera de presión (página 13). |
| | La parte delantera de la limpiadora no puede salir de las esquinas | El giro es demasiado corto |
| La parte delantera de la limpiadora rota más de 3/4 del ciclo durante los giros | El giro es demasiado largo | Cambie la leva a la posición verano (página 12). |
| La manguera de barrido tira agua fuera de la piscina | La potencia de la manguera de barrido es demasiado fuerte | Reduzca la potencia de la manguera de barrido (página 13). |
| La manguera de barrido se mueve poco o nada | La potencia de la manguera de barrido es demasiado baja | Aumente la potencia de la manguera de barrido (página 13). |
| | Agujero en la manguera de barrido | Reemplace la manguera de barrido (N. pieza AX5000RSHA) |
| La manguera de barrido está obstruida con basura | La manguera de barrido está obstruida con basura | Desconecte la manguera de barrido y púrguela. |
| | La Phantom funciona de costado o invertida | Basura pesada |
| La Phantom funciona de costado o invertida | Presión demasiado alta | Controle la presión de funcionamiento (página 9). |
| | La limpiadora no puede subir a la superficie ni en TOP ni en AUTO | La presión está demasiado alta o demasiado baja |
| La limpiadora no puede subir a la superficie ni en TOP ni en AUTO | Demasiada basura pesada en la bolsa | Vacíe la bolsa. |
| | La limpiadora funciona en círculos pequeños | La manguera en el montaje del extremo limpiador de la manguera está torcida |



| N. rif. | N. pieza | Descripción |
|----------|-------------|---|
| 1 | AX5060M | Motor (3/4 HP 60 ciclos) |
| 2a | AX5060B | Placa de cierre (antes de 2004) |
| 2b | AX5060B2 | Placa de cierre (a partir de 2004) |
| 3 | SPX1250XZ2C | Cierre con muelle y asiento |
| 4 | AX5060C | Montaje del propulsor |
| 5a | AX5060GA | Junta plana, Bomba cebadora (antes de 2004) |
| 5b | AX5060J | Junta listones, Bomba cebadora (a partir de 2004) |
| 6 | AX5060A | Espiral 3/4" NPT-F |
| 7 | SPX1700FG | Tapón de tubería con junta |
| 8 | AX5060Z2A1 | Kit de tuercas, pernos y arandelas (paquetes de 6) |
| 9 | AX5060RSA1 | Perno para motor con un kit de arandelas (paquete de 4) |
| 10 | AX5060P | Protección para vástago |
| 11 | AX5060D | Base |
| 12 | AX5060HKIT | Kit de mangueras para bomba cebadora |
| | AX5060K | Brida metálica (antes de 2004) No se muestra |
| Opcional | 5060VKIT | Kit de instalación vertical |

Vista detallada de la Limpiadora Phantom



| N. rif. | N. pieza | Descripción |
|---------|------------|--|
| 1 | AX6000TA | Cubierta (con ala y tapa de levas) |
| 2 | AX6001F | Tapa de levas |
| 3 | AX5003M | Levas (paquete de 3) |
| 4 | AX6000GA | Caja de engranajes (con levas, mangueras, enlaces) |
| 5 | AX5010D4 | Tornillos (paquete de 5) |
| 6 | AX6009BF | Rueda delantera (con tope y cojinete) |
| 7 | AX5000D | Rodillos (paquete de 7 con cojinete) |
| 8 | AX6000MA | Montaje del colector (con mangueras y enlaces) |
| 9 | AX5000B | Tubo aspirador |
| 10 | AX5000A2 | Carter inferior |
| 11 | AX5009E | Eje trasero |
| 12 | AX6009B | Ruedas traseras (con cojinetes, tuercas y tapacubos) |
| 13 | AX6000HA | Manguera rígida de presión (completa) |
| 14 | AX6000HCA | Montaje del extremo de la manguera de presión (sin manguera de barrido) |
| 15 | AX6000HWA2 | Montaje de la manguera de presión y de la parte superior del filtro en línea |
| 16 | AX6000HFA | Montaje de la placa giratoria de manguera |
| 17 | AX6000HE | Sección de manguera rígida (dos mangueras rígidas y una conexión) |
| 18 | AX6000HWA1 | Montaje del acople rápido a pared, la manguera y el filtro en línea inferior |
| 19 | AX6009S | Filtro (dispositivo) en el filtro en línea |
| 20 | AX6000PTA | Manómetro |
| 21 | AX5000RSHA | Manguera de barrido (con rodillos y dispositivo de sujeción) |
| 22 | AX6000BA | Bolsa para basura de gran capacidad (con cierre desplazable) |
| 23 | AX5004L1 | Adaptador universal de pared |
| 24 | AX5006A | Rodillos protectores (paquete de 10) |
| 25 | AX5500EF | Flotadores (izquierdo y derecho) |
| 26 | AX6000SWA | Interruptor Superficie/Automático/Fondo |
| 27 | AX6000TNKA | Depósito de chorro frontal |
| 28 | AX6008M | Inyector frontal de giro (con manguera y enlace) |
| 29 | AX5010G10 | O-Ring para conector rápido a pared |
| 30 | AX5010G18 | O-Ring para conector de limpiadora |
| 31 | AX5010G19 | O-Ring para filtro en línea |
| 32 | AX5010G5 | O-Ring de conector de tubería (paquete de 6) |

¡Importante!

Conservela factura de venta como comprobante de su elegibilidad para la garantía.

Al Consumidor minorista/Comprador original (el "COMPRADOR") de la Limpiadora automática de piscinas Hayward Phantom (la "LIMPIADORA").

Hayward Pool Products, Inc. ("HAYWARD") garantiza las piezas por Un (1) año a partir de la fecha de compra original (excluyendo la bolsa y la manguera de barrido que son repuestos normales).

Se excluye de esta garantía a la Bomba Cebadora Hayward ya que tiene su propia garantía por separado.

SI LA LIMPIADORA DEJARA DE FUNCIONAR CORRECTAMENTE DENTRO DEL PLAZO ARRIBA MENCIONADO, HAYWARD A SU DISCRECIÓN REPARARÁ O SUSTITUIRÁ LA LIMPIADORA O CUALQUIER PIEZA DEFECTUOSA SIN CARGOS ADICIONALES CON EXCEPCIÓN DE LO ESTABLECIDO MÁS ADELANTE. SE ENTREGARÁN LOS REPUESTOS O PRODUCTOS SUSTITUIDOS SOBRE UNA BASE DE INTERCAMBIO Y SERÁN NUEVOS O FUNCIONALMENTE EQUIVALENTES. TODAS LAS PIEZAS RETIRADAS COMO RESULTADO DE SU SUSTITUCIÓN PASARÁN A SER PROPIEDAD DE HAYWARD. LA RESPONSABILIDAD DE HAYWARD Y EL ÚNICO RECURSO DEL COMPRADOR YA SEA EN CONTRATO BAJO CUALQUIER GARANTÍA, POR PERJUICIO (INCLUSIVE NEGLIGENCIA), POR RESPONSABILIDAD POR HECHOS AJENOS O DE OTRO MODO, ESTARÁ LIMITADA SOLAMENTE A LA REPARACIÓN O SUSTITUCIÓN DE LAS PIEZAS DEFECTUOSAS Y BAJO NINGUNA CIRCUNSTANCIA LA DEVOLUCIÓN EXCEDERÁ EL PRECIO DE COMPRA PAGADO POR EL COMPRADOR.

LA PRESENTE GARANTÍA LIMITADA ESTÁ SUJETA A LOS SIGUIENTES TÉRMINOS Y CONDICIONES:

1. Esta Garantía Limitada no se aplicará a daños causados por la no realización del mantenimiento normal de la LIMPIADORA (por ej. el control de la presión o del flujo y el reemplazo de una bolsa o de una manguera de barrido gastada.)
2. Esta Garantía Limitada quedará invalidada si la LIMPIADORA sufre alguna modificación, incluido, aunque no limitado, al uso de piezas que no sean piezas auténticas Hayward.

3. Esta Garantía Limitada no se hace responsable por cualquier lesión, pérdida, daño, defecto, o funcionamiento impropio de la LIMPIADORA o falta de funcionamiento de la LIMPIADORA que resulten del uso o mantenimiento incorrecto de la LIMPIADORA de acuerdo a las indicaciones establecidas en la Guía del usuario proporcionada por Hayward, o por cualquier lesión, pérdida, daño, defecto, o funcionamiento impropio de la LIMPIADORA o falta de funcionamiento de la LIMPIADORA que resulten del uso incorrecto, uso no razonable, alteración, abuso, actos fortuitos, alteraciones a la LIMPIADORA realizadas por personas ajenas a HAYWARD incluyendo pero no limitadas a daños y/o lesiones a piezas que resulten del funcionamiento de la bomba en seco (por ej. la interrupción o el suministro de agua inadecuado a la Bomba Cebadora, o la obstrucción de las líneas) o daños, defectos, o funcionamiento impropio que resulten de defectos, fallas, funcionamiento impropio o negligencia, abuso, o uso incorrecto, no de la LIMPIADORA, sino del equipo.
4. La presente Garantía Limitada no será aplicable en el caso de funcionamiento impropio, daño, falla en los materiales o cambios en el aspecto de la LIMPIADORA que resulten de la exposición al sol o a productos químicos o de reacciones a sustancias con las que alguna pieza de la LIMPIADORA pueda entrar en contacto o de piezas que aunque hayan sufrido desgaste no afecten el funcionamiento de la LIMPIADORA.
5. Esta Garantía Limitada no es aplicable a limpiadoras utilizadas con propósitos comerciales.
6. La LIMPIADORA está diseñada para funcionar en una piscina de diseño, construcción y mantenimiento correctos. Esta Garantía Limitada no tiene validez en el caso de que el diseño, la construcción o el mantenimiento de la piscina sean defectuosos, de mala calidad o inapropiados para el funcionamiento de la LIMPIADORA.
7. El deterioro, la decoloración o la fragilidad del yeso y del revestimiento de vinilo de la piscina se pueden producir con el transcurso del tiempo de forma separada o en combinación con las algas y el desequilibrio en la composición química del agua, la instalación inapropiada, y otros factores.

Garantía limitada

HAYWARD por la presente niega cualquier responsabilidad por reclamos, y el COMPRADOR libera a HAYWARD de todo reclamo por daños al yeso o al revestimiento de vinilo de la piscina en la piscina del COMPRADOR a causa del uso y/o funcionamiento de la LIMPIADORA

8. La presente Garantía Limitada es válida y aplicable solamente a LIMPIADORAS montadas, fabricadas o adquiridas e instaladas en los Estados Unidos de Norte América y Canadá.
9. La presente Garantía Limitada se aplicará al COMPRADOR original de la LIMPIADORA adquirida a un representante autorizado de HAYWARD y no se aplicará a ningún otro comprador posterior, cesionario u otro destinatario de la LIMPIADORA del COMPRADOR.
10. **La presente Garantía Limitada no se aplicará a menos que la Tarjeta de Registro esté firmada, completada y remitida dentro de los catorce (14) días de la fecha de compra.** Hayward se reserva el derecho de disponer de cualquier Tarjeta de Registro una vez recibida. El COMPRADOR debe conservar un comprobante escrito de la compra.
11. La precedente Garantía Limitada concede al COMPRADOR derechos legales específicos, que pueden variar entre estados, y por lo tanto, algunas de las exclusiones y condiciones enumeradas pueden no ser aplicables a COMPRADORES que viven en ciertos estados.
12. Ninguna de las partes será responsable ante el otro por el incumplimiento o demora en el desempeño debido totalmente o en parte a cualquier causa más allá del control razonable de las partes, incluidos los elementos y actos fortuitos, los actos de la otra parte, los actos de autoridad civil o militar, guerra, disturbios, o actos concertados de los trabajadores.
13. El COMPRADOR no puede vender, transferir o ceder los derechos emergentes de este acuerdo sin el consentimiento previo escrito de HAYWARD. HAYWARD puede ceder los derechos emergentes del presente contrato o cualquier pago u otra suma debida por el presente sin aviso o consentimiento previo del COMPRADOR. Si Hayward realiza alguna de estas cesiones, el cesionario tendrá todos los derechos, obligaciones, poderes, privilegios y recursos de HAYWARD. La modificación de este contrato sólo se puede realizar por escrito y con la firma de un agente autorizado de HAYWARD.

En el caso de que la LIMPIADORA mostrara defectos de fabricación o en los materiales durante el término de la Garantía Limitada, el COMPRADOR deberá enviar el producto con el flete pago a cualquier Centro de Servicios de Fábrica lo antes posible después de descubrir el defecto, junto con una copia de la

Factura de Venta que incluya la fecha de compra y el número de serie del producto que se reclama como defectuoso, el nombre y el domicilio del COMPRADOR y una breve descripción de los problemas/defectos encontrados.

Llame al (800) 227-1477 para averiguar el nombre y domicilio del Centro de Servicios de Fábrica más cercano (fuera de los EE.UU continental llame al (909) 594-1600).

HAYWARD se hará cargo a su discreción de la reparación o sustitución de las piezas defectuosas de la LIMPIADORA cubiertas por esta Garantía Limitada, y al devolverlas al COMPRADOR se hará cargo de los gastos de envío. HAYWARD no se hace responsable de los gastos de embalaje, envío o transporte de la LIMPIADORA o de alguna de sus piezas hacia o desde el Centro de Servicios de Fábrica, a menos que esté expresamente provisto por la ley estatal. Ningún representante, distribuidor o persona similar está autorizada a realizar garantías o manifestaciones concernientes a HAYWARD que excedan los términos expresos del presente contrato. HAYWARD no asume ninguna responsabilidad por garantías que sobrepasen los términos expresos de la presente Garantía Limitada. Esta Garantía Limitada reemplaza toda otra garantía expresa o implícita, y es válida y aplicable solamente en los Estados Unidos de Norteamérica y en Canadá. El COMPRADOR debe proporcionar a HAYWARD un comprobante escrito razonablemente aceptable de la fecha original de compra de la LIMPIADORA.

El único foro para tratar cualquier disputa entre el COMPRADOR y HAYWARD será el arbitraje obligatorio, conducido en Union County, Nueva Jersey bajo las normas de la Asociación Americana de Arbitraje, y la parte vencedora tendrá derecho a la adjudicación de los honorarios y costas del abogado.

LAS MENCIONADAS GARANTÍAS Y RECURSOS SON EXCLUYENTES Y SUSTITUYEN A TODAS LAS DEMÁS GARANTÍAS, EXPRESAS O IMPLÍCITAS, YA SEA DE HECHO O POR APLICACIÓN DE LA LEY, ESTATUTARIAS U OTRAS, INCLUYENDO LAS GARANTÍAS DE COMERCIALIDAD Y DE ADECUACIÓN PARA UN PROPÓSITO DETERMINADO. HAYWARD NO ASUME NI AUTORIZA A NINGUNA OTRA PERSONA A ASUMIR EN SU REPRESENTACIÓN NINGUNA OTRA RESPONSABILIDAD RELACIONADA CON LA VENTA, INSTALACIÓN, O USO DE SU LIMPIADORA Y NO SE HACE RESPONSABLE DE EQUIPOS O DE LO QUE FUERE RELACIONADO A EQUIPOS NO PROPORCIONADOS POR HAYWARD. LA GARANTÍA PRECEDENTE NO CUBRE DAÑOS A LA LIMPIADORA RESULTANTES DE ACCIDENTE, USO IMPROPIO, ABUSO, O MODIFICACIONES REALIZADAS A LA LIMPIADORA POR PERSONAS AJENAS A HAYWARD. HAYWARD NO SERÁ RESPONSABLE DE LOS DAÑOS POR DEMORAS EN LA ENTREGA O USO. BAJO NINGUNA CIRCUNSTANCIA HAYWARD SERÁ RESPONSABLE ANTE EL COMPRADOR POR DAÑOS Y PERJUICIOS INCLUIDO, PERO NO LIMITADO, A DAÑOS DIRECTOS, ESPECIALES, ACCIDENTALES O INDIRECTOS QUE SURJAN O ESTÉN RELACIONADOS CON LA VENTA, INSTALACIÓN O USO, O INCAPACIDAD DE USAR LA LIMPIADORA, LA PISCINA DEL COMPRADOR O POR CUALQUIER OTRO RECLAMO DE CUALQUIER OTRA PARTE.