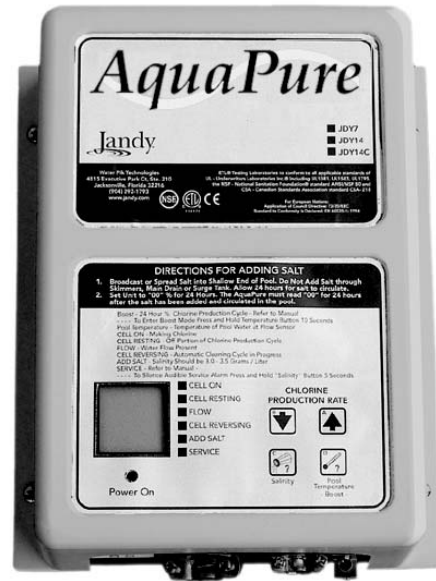
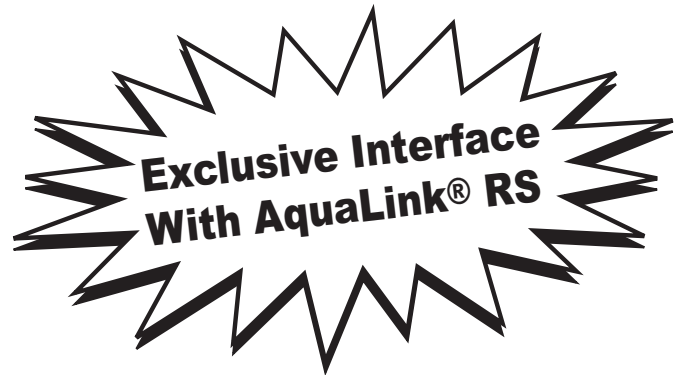




Installation and Operation Manual



Jandy® AquaPure™ Electronic Chlorine Generator Pure700 and Pure1400



WARNING

FOR YOUR SAFETY - This product must be installed and serviced by a professional pool/spa service technician. The procedures in this manual must be followed exactly. Failure to follow warning notices and instructions may result in property damage, serious injury, or death.

Table of Contents

| | | | |
|--|----|---|----|
| Section 1. Safety Information | 4 | Section 5. Operating Instructions..... | 22 |
| Section 2. System Description | 5 | 5.1 Using the Front Panel Controls..... | 22 |
| 2.1 Electrical Specifications..... | 6 | 5.2 Reading the Display..... | 23 |
| Section 3. Installation Instructions | 7 | 5.3 Operation | 24 |
| 3.1 Materials and Tools..... | 7 | 5.4 Startup | 25 |
| 3.2 Plumbing Configurations | 7 | 5.4.1 Shocking | 25 |
| 3.2.1 Recommended Plumbing | | 5.4.2 Apply Power | 25 |
| Configuration | 7 | 5.5 Operating in Winter..... | 26 |
| 3.2.2 Alternate Plumbing | | 5.6 Recommendations..... | 26 |
| Configurations | 9 | Section 6. User Maintenance Instructions .. | 27 |
| 3.3 Installing the Control Center..... | 11 | 6.1 Daily..... | 27 |
| 3.4 Earth Bonding (Grounding) | 12 | 6.2 Weekly | 27 |
| 3.5 Installing the Cell and | | 6.3 Monthly..... | 27 |
| Flow/Temp/Salinity Sensor..... | 12 | 6.4 Electrolytic Cell Cleaning..... | 27 |
| 3.6 Connection to an AquaLink® RS | | 6.5 Flow/Temp/Salinity Sensor..... | 28 |
| Control System | 14 | 6.6 Winterizing..... | 29 |
| 3.6.1 Wiring to a | | Section 7. Troubleshooting | 30 |
| Jandy AquaLink RS | 15 | 7.1 Problems and Corrective Action .. | 30 |
| 3.6.2 Wiring Multiple AquaPure | | 7.2 Service Codes..... | 33 |
| Units to a Jandy AquaLink RS | 16 | 7.3 Additional Letter Codes..... | 33 |
| Section 4. Pool Water Preparation | 16 | Section 8. Temperature Conversion | 34 |
| 4.1 Determining Pool Size | 16 | Section 9. Exploded Views and | |
| 4.2 Determining Pool Size | 16 | Replacement Kits..... | 35 |
| 4.3 Selecting Model Size | 17 | 9.1 Control Center..... | 35 |
| 4.4 Chemistry You Need to Know | 17 | 9.2 Electrolytic Cell | 35 |
| 4.5 Optimum Pool Water | | 9.3 Flow Sensor | 35 |
| Conditions | 18 | | |
| 4.6 Chlorine Testing..... | 18 | | |
| 4.7 Salt (NaCl sodium chloride) | 18 | | |
| 4.7.1 What Type of Salt? | 18 | | |
| 4.7.2 How Much Salt? | 18 | | |
| 4.7.3 How to Add Salt? | 19 | | |

Section 1. Safety Information

IMPORTANT SAFETY INSTRUCTIONS PERTAINING TO A RISK OF FIRE, ELECTRIC SHOCK, OR INJURY TO PERSONS

READ AND FOLLOW ALL INSTRUCTIONS

When installing and using this electrical equipment, basic safety precautions should always be followed, including the following:

WARNING

To reduce the risk of injury, do not permit children to use this product unless they are closely supervised at all times.

WARNING

When mixing acid with water, **ALWAYS ADD ACID TO WATER. NEVER ADD WATER TO ACID.**

WARNING

To reduce the risk of electric shock, fire or injury, service should only be attempted by a qualified Pool Service Professional.

WARNING

Do not operate electrolytic cell without proper flow or water circulation. A buildup of flammable gases would result in hazardous conditions.

WARNING

Installation must be done in accordance with the National Electric Code (NEC, NFPA-70) and/or any other applicable local and national installation codes.

RISK OF ELECTRIC SHOCK, FIRE, PERSONAL INJURY, OR DEATH. Connect only to a circuit that is protected by a ground-fault circuit-interrupter (GFCI). Such a GFCI should be provided by the installer and should be tested on a routine basis. To test the GFCI, push the test button. The GFCI should interrupt power. Push the reset button. Power should be restored. If the GFCI fails to operate in this manner, there is ground current flowing, indicating the possibility of an electric shock. Do not use this unit. Disconnect this unit and contact a qualified service representative before using.

A green colored terminal (or a wire connector marked “G”, “GR”, “Ground” or “Grounding”) is provided within the terminal compartment. To reduce risk of electric shock, connect this terminal or connector to the grounding terminal of your electric service or supply panel with a conductor equivalent in size to the circuit conductors supplying this equipment.

Power supply must be interconnected with Pool Pump motor power source. This insures the chlorinator and pool pump will turn on and off together.

Use of chemicals other than those recommended may be hazardous. Follow the Chemical Manufacturers Instructions.

It is recommended that the water Flow/Temp/Salinity Sensor is installed in the same piping as the electrolytic cell, without any valves or diverters between them. (See page 5 Figure 1).

The Flow/Temp/Salinity Sensor must be mounted as in page 13 Figure 11.

SAVE THESE INSTRUCTIONS

Section 2. System Description

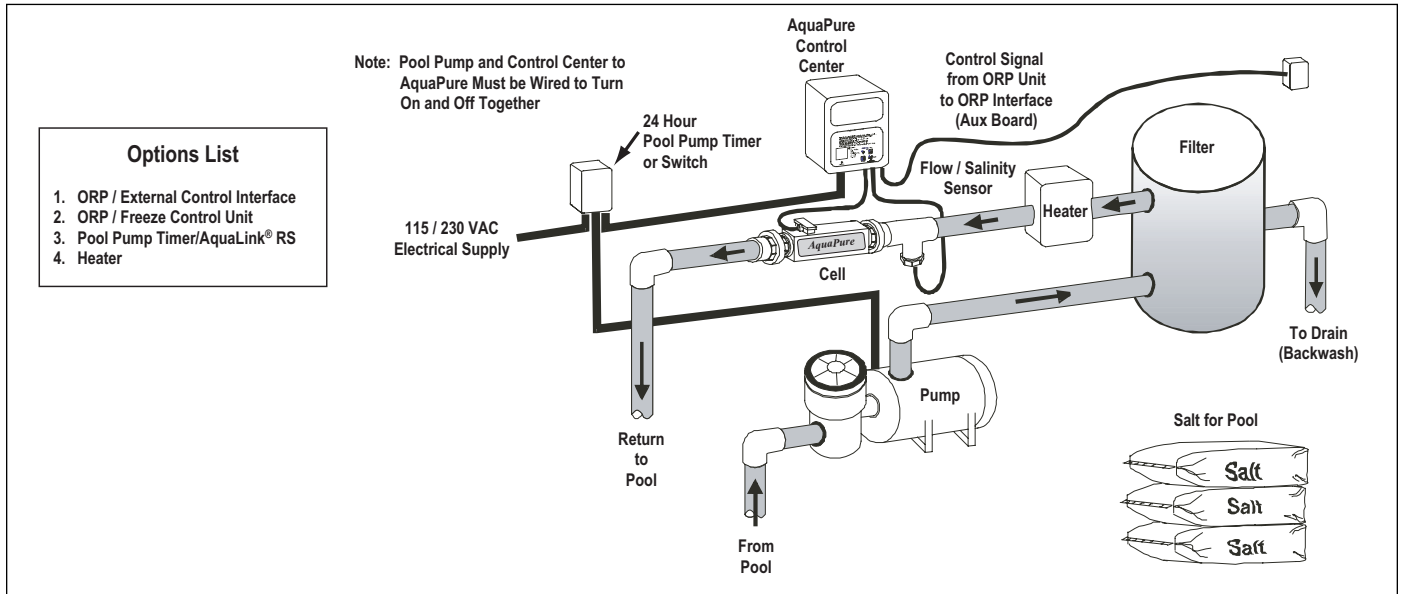


Figure 1. Typical AquaPure Installation With Options



ATTENTION INSTALLER: Various application notes (more detailed instructions) are available from the Dealer covering installation, operation, maintenance, and plumbing of the chlorinator system.

The AquaPure uses a process known as electrolysis to produce sodium hypochlorite (liquid chlorine) from a low concentration of salt added to the pool water. Hypochlorite kills bacteria, oxidizes organic material, and kills algae then reverts back to salt. The AquaPure then reuses the salt and the process starts over again. The AquaPure system is comprised of the following three component parts and an optional pool pump timer.

Control Center

The control center converts AC electrical current to a low voltage DC current which is required by the cell to perform the electrolysis. The control center is connected with the pool circulation pump electrical source so that the electrolytic cell only operates when the pool pump is on. The flow portion of the **Flow/Temp/Salinity Sensor** is a backup device only.

Electrolytic Cell

The electrolytic cell contains bipolar electrodes which perform the electrolysis and produce chlorine when energized with DC current. Chlorine is generated as pool water containing salt passes through the cell. The chlorine production can be varied by either adjusting the Chlorine Production Level on the control center or by varying the number of hours the AquaPure is on each day. ***The AquaPure automatically cleans the Cell electrodes once every 3 hours. This does not interrupt the production of Chlorine.***

Flow/Salinity/Temperature Sensor

The Flow/Temp/Salinity Sensor only allows the Cell to operate if there is adequate water flow through the Cell. The salinity portion of the Flow/Temp/Salinity Sensor detects the level of salt in the pool water. This salt level is displayed in grams per liter (gpl) on the Liquid Crystal Display (LCD) whenever the salinity button is pressed. This eliminates the need for manual pool water salinity testing. Pool Temperature is now available on all models by pressing the **Temperature** button.

Pool Pump Timer A Pool Pump Timer is not included as part of your AquaPure. It is recommended that a timer or an AquaLink RS control system be used to save on energy and prolong the service life of your pool pump and the AquaPure.

2.1 Electrical Specifications

Circuit Protection 2 pole 20 AMP device at the Electrical Panel.

| Model PURE700 and PURE700-16 | | Model PURE1400 and PURE1400-16 | |
|-------------------------------------|---|---------------------------------------|---|
| Input: | 115 VAC, 50/60 Hz, 1.5 AMPS 230 VAC, 50/60 Hz, 0.75 AMPS | Input: | 115 VAC, 50/60 Hz, 2.5 AMPS 230 VAC, 50/60 Hz, 1.25 AMPS |
| Output: | 22-30 VDC @ 3 AMPS maximum | Output: | 22-30 VDC @ 6 AMPS maximum |
| Chlorine: | 0.625 lb. / 24 Hr. (283 gm / 24 Hr.) | Chlorine: | 1.25 lb. / 24 Hr. (567 gm / 24 Hr.) |
| External Control: | ORP/External Control Connector AquaLink® RS485 Connector | External Control: | ORP/External Control Connector AquaLink® RS485 Connector |

⚠ CAUTION

Factory wired for 230 VAC service. If available electrical service is 115 VAC, the power supply wiring must be changed to operate on 115 VAC as shown in the wiring diagram below. (Figure 2.)

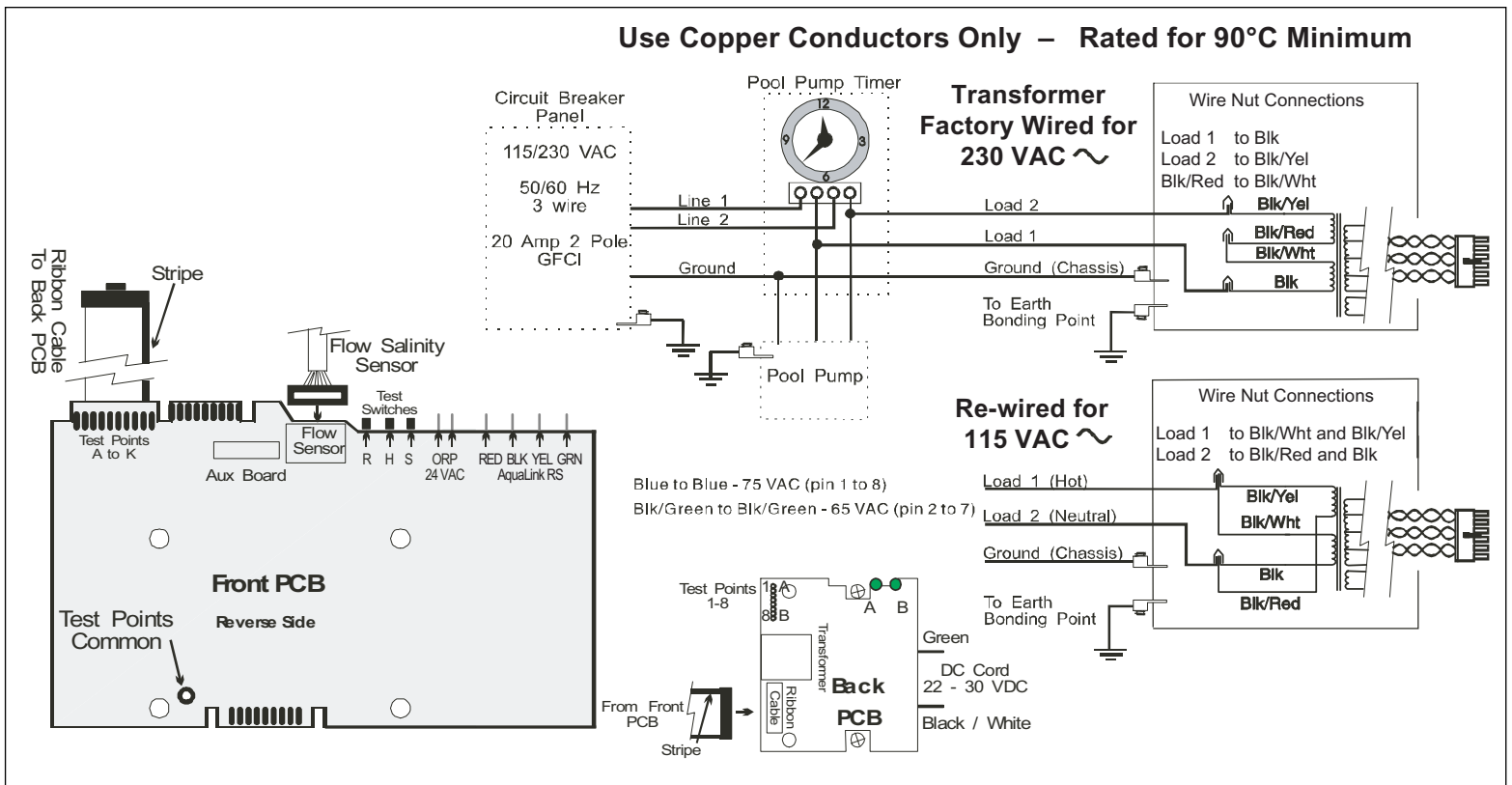


Figure 2. PURE700 and PURE1400

Section 3. Installation Instructions Model PURE700 and PURE1400

3.1 Materials and Tools

NOTE Salt not included. See pages 18 - 21.

| Installation Materials Furnished | Tools Needed for Installation |
|--|--|
| (1 ea.) Electrolytic Cell | Tape Measure |
| (2 ea.) Cell Union with (2-each) O-Rings and 2" Tee | Phillips & Flathead Screwdrivers |
| (1 ea.) 2" to 1½" Reducing Bushing | Pliers |
| (1 ea.) Roll Teflon Tape | Hacksaw |
| (1 ea.) Flow/Temp/Salinity Sensor with 8 ft (2.44 m) or 16 ft (4.88 m) cable | Voltmeter to determine line voltage of AC wiring to power supply |
| (1 ea.) 8 ft (2.44 m) or 16 ft (4.88 m) DC Power Cord | Electric Drill Motor and 1/4 " masonry drill bit for mounting power supply on block or stucco wall |
| (1 ea.) Power Supply/Control Center | An NSF® approved All Purpose Cleaner Primer |
| (4 ea.) Anchors and Screws | An NSF® approved All Purpose Cement (such as Weld-On 794, 793) |
| (2 ea.) Wire Nuts | |
| (1 ea.) Owner's Manual - Warranty Information | |
| (1 ea.) Installation Template | |

WARNING

When using electrical products, basic precautions should always be followed, including the following:

- **DANGER: RISK OF ELECTRIC SHOCK WHICH CAN RESULT IN SERIOUS INJURY OR DEATH.** Before attempting installation or service, ensure that all power to the device is disconnected/turned off at the circuit breaker. Connect only to a circuit protected by a ground fault circuit-interrupter (GFCI).
- Grounding is required. The unit should be installed by a qualified service representative and should be properly grounded. (See Earth Bonding, page 12).
- Install to permit access for servicing.
- Read Cautions and Important Instructions on page 4. **Before attempting any electrical wiring, be sure to read and follow Safety Instructions. Wiring should only be attempted by a qualified professional.**

3.2 Plumbing Configurations

3.2.1 Recommended Plumbing Configuration

The preferred installation is that the Sensors and Cell are plumbed in the return line to the pool after (downstream) all the pool equipment (filter, heater, solar, etc.). The Cell and Sensor Tee fitting are designed to be plumbed into 2" PVC pipe. Adapters can be used for systems with 1.5" plumbing. Figures 3 and 4 on page 8 illustrate the recommended plumbing configuration, which result in the most reliable operation.

Note The AquaPure is powered from the LOAD SIDE of the pool circulation pump relay or the time clock. This ensures that the Cell only operates when the pool pump is ON. The Flow Sensor serves as a protection device to ensure there is sufficient flow for the cell to operate.

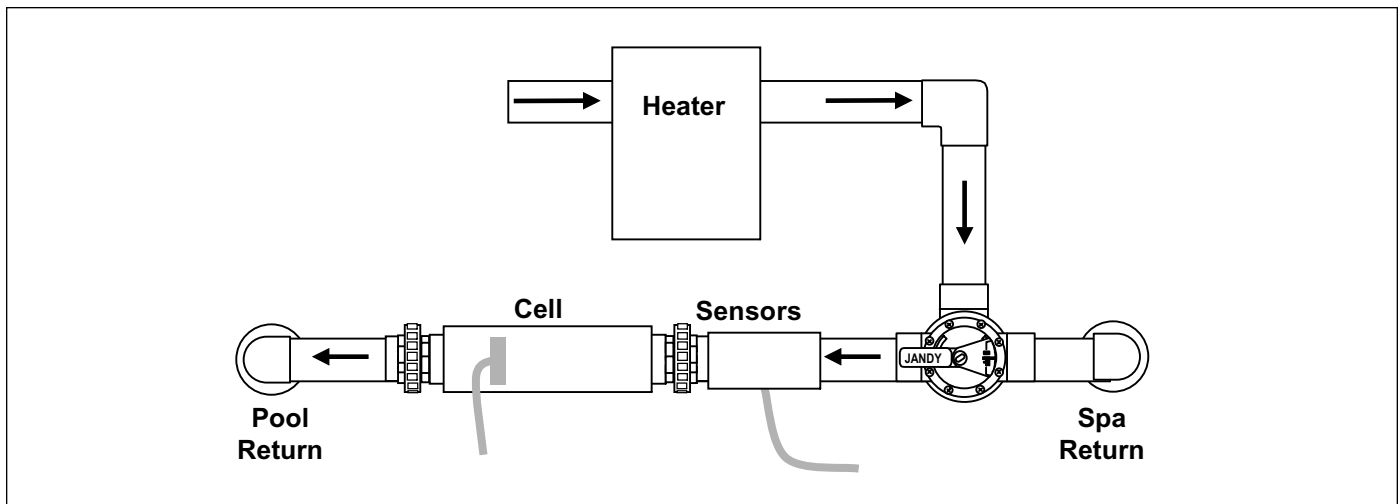


Figure 3. Recommended Plumbing Configuration with Cell and Sensors #1, Top View

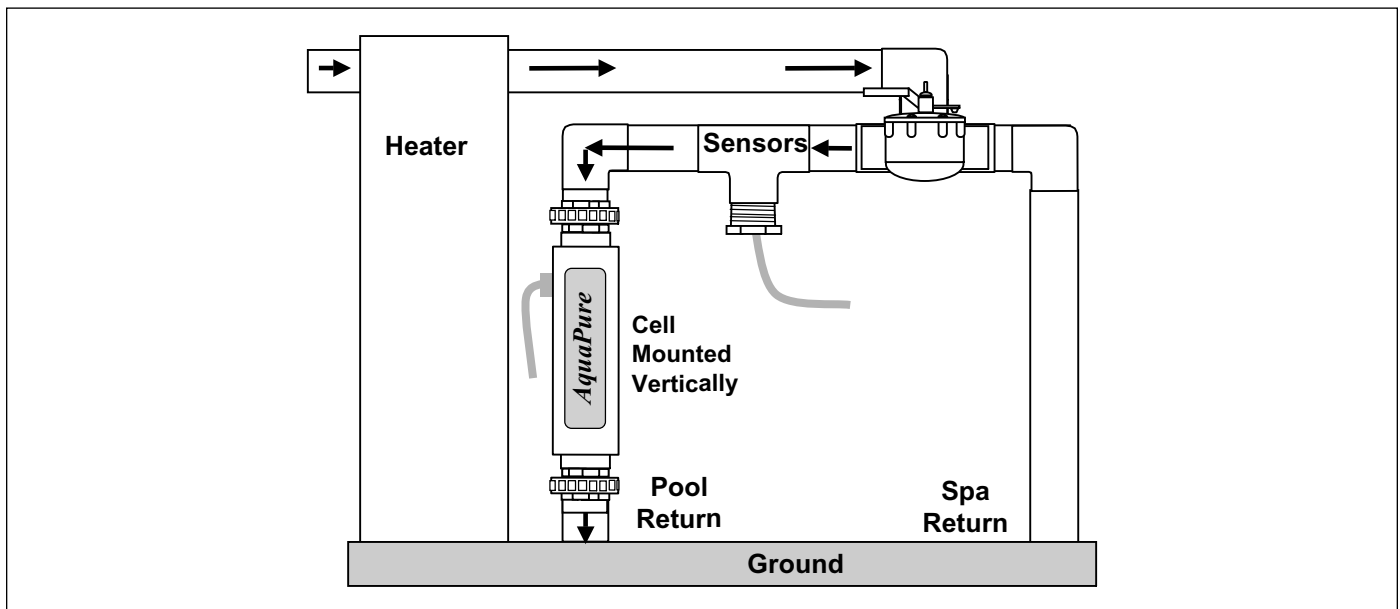


Figure 4. Recommended Plumbing Configuration with Cell and Sensors #2, Side View

3.2.2 Alternate Plumbing Configurations

There are alternate plumbing layouts to allow for chlorination of the pool during spa spillover operation, but prevent over-chlorination of the spa during “*spa only*” operation (see figures 5 and 6). The configuration shown in Figure 5 will only chlorinate the pool. Whereas Figure 6 allows chlorination of the pool or spa. If the AquaPure is controlled by an AquaLink RS, the AquaPure is notified when the AquaLink RS is in Spa Mode and adjusts to 10% of the AquaLink RS output setting to ensure the spa is not over-chlorinated.

Note The AquaPure is powered from the LOAD SIDE of the pool circulation pump relay or the time clock. This ensures that the Cell only operates when the pool pump is ON. The Flow Sensor serves as a protection device to ensure there is sufficient flow for the Cell to operate.

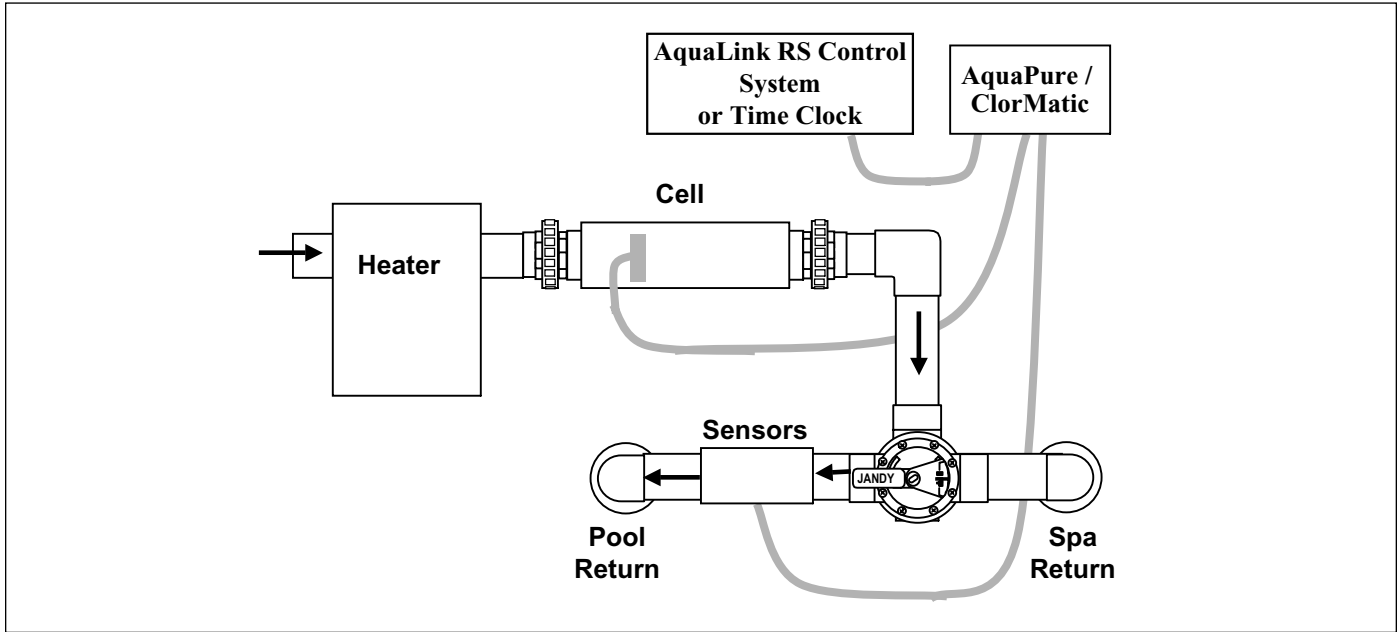


Figure 5. Alternate Plumbing Configuration with Cell and Sensors, Without Spa Bypass for Spillover, Top View

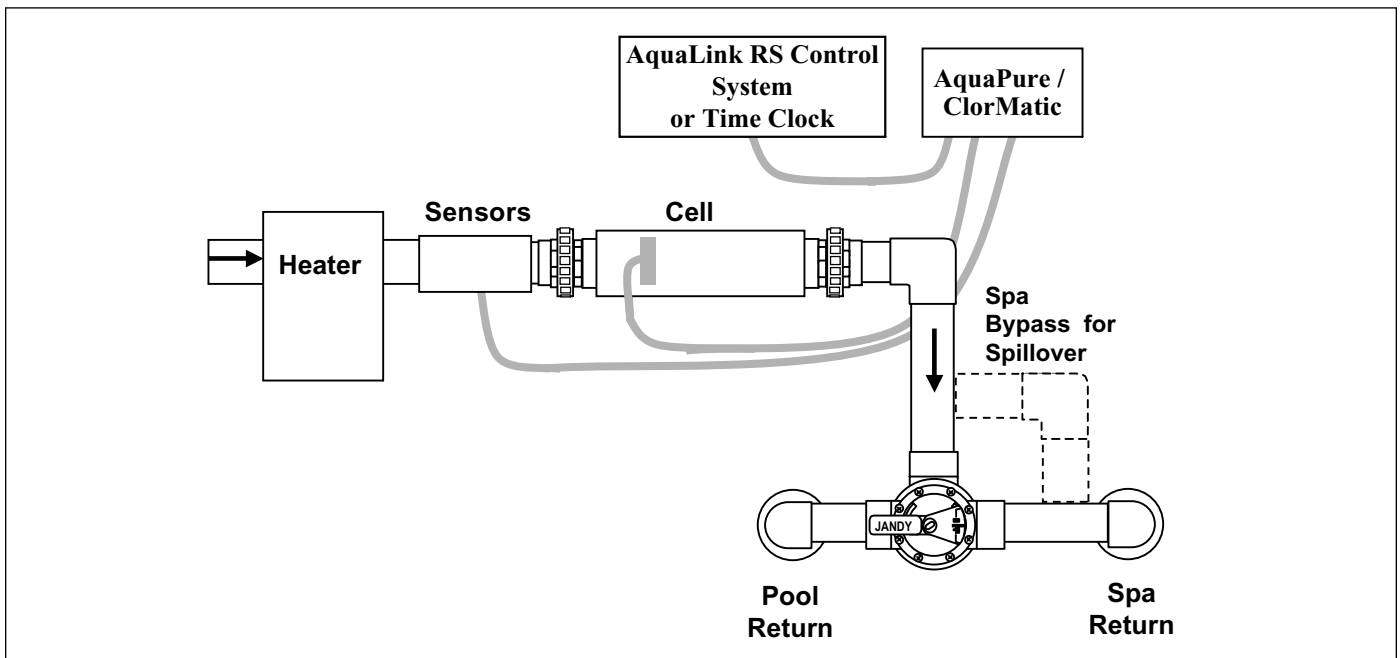


Figure 6. Alternate Plumbing Configuration with Cell and Sensors, With Spa Bypass for Spillover, Top View

⚠ WARNING

AVOID HAZARDOUS PLUMBING: Do not mount the **Flow/Temp/Salinity Sensor** and **Cell** as shown in Figures 7 and 8. If a valve is located improperly between the flow/temp/salinity sensor and the electrolytic cell, it may cause the cell to operate without water flow through the cell which can create a **HAZARDOUS** condition.

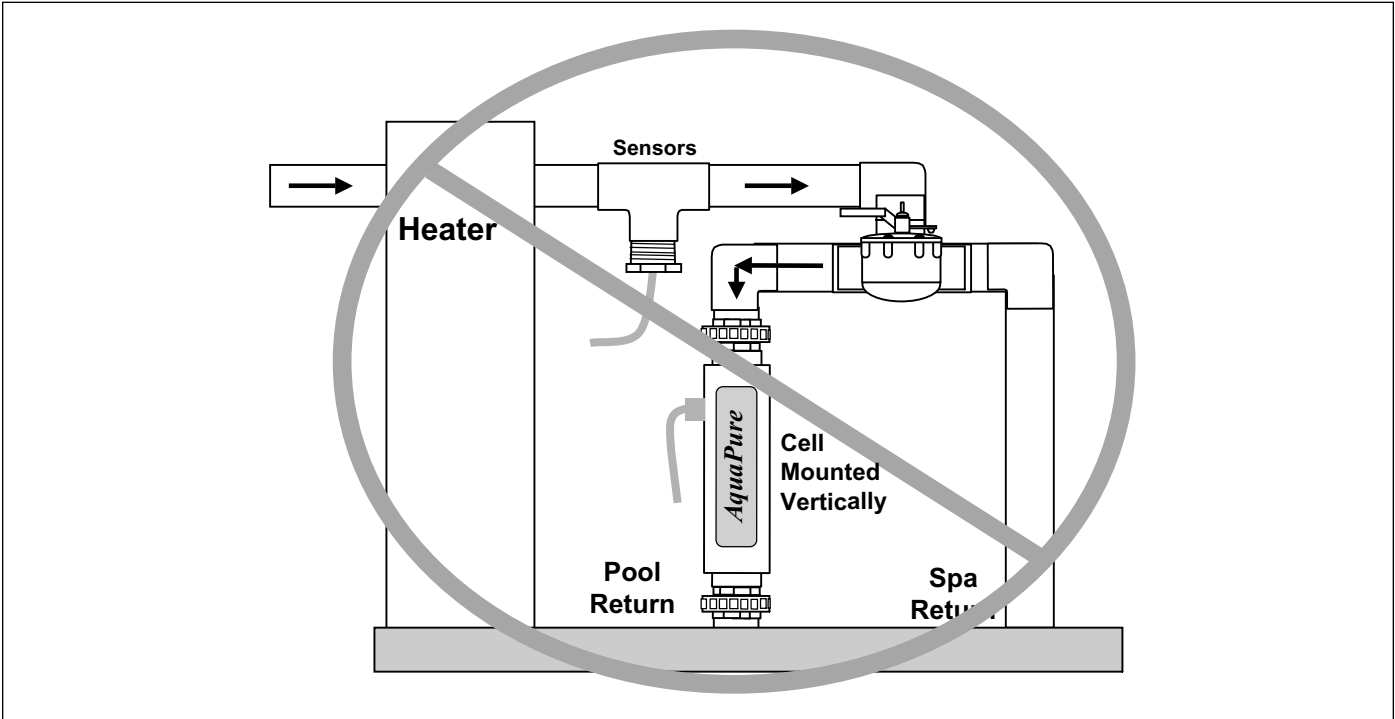


Figure 7. Hazardous Plumbing Configuration with Cell and Sensors, Cell Mounted on Pool Return Line

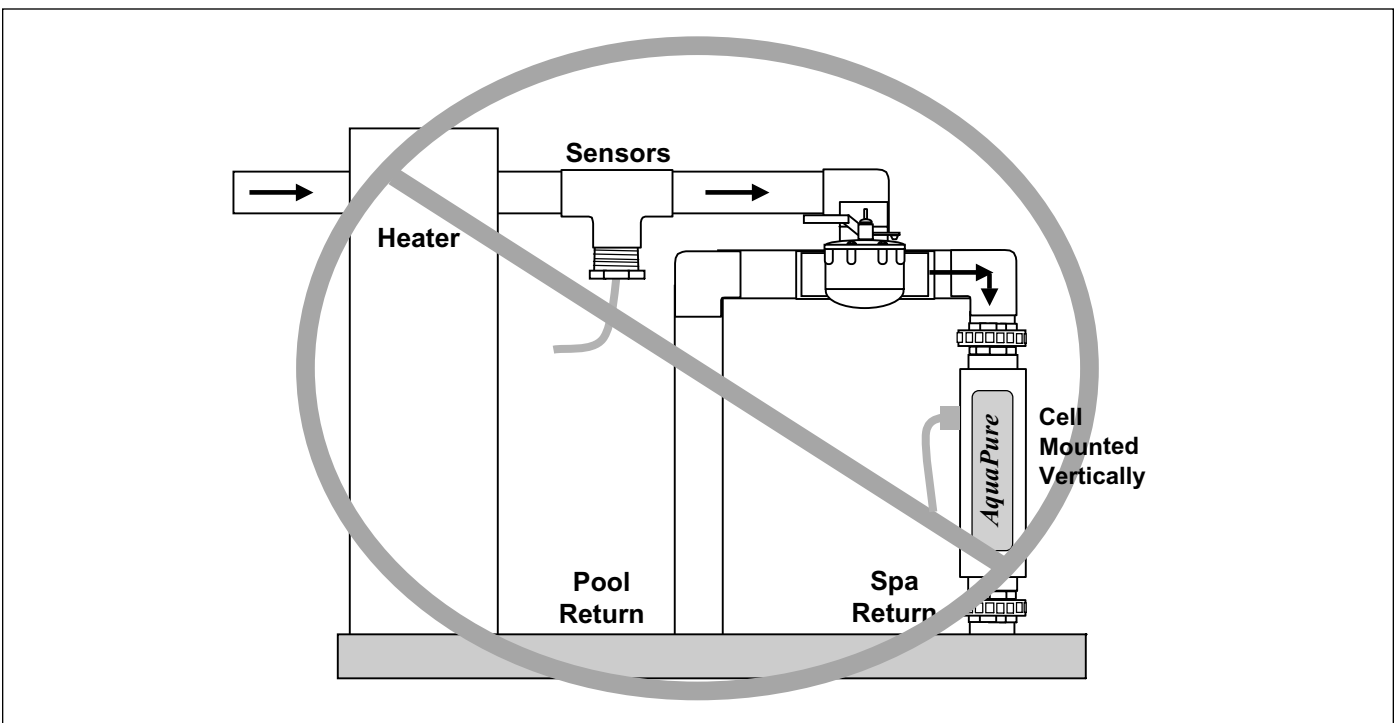


Figure 8. Hazardous Plumbing Configuration with Cell and Sensors, Cell Mounted on Spa Return Line

3.3 Installing the Control Center for the PURE700 and PURE1400

1. Locate the Control Center as close to the pump and filtration system as possible. Make sure that the DC power cord and the Flow/Temp/Salinity Sensor cable can reach that section of pipe selected for the Cell and Flow/Temp/Salinity Sensor installation. **Do not install the Control Center within 10 ft (3 m) of the pool edges.**

NOTE The PURE700 and PURE1400 are available with 8 ft cords and cables. The PURE700-16 and PURE1400-16 are available with 16 ft cords and cables.

2. Use hardware provided and mount the control center at eye level. Leave sufficient clearance on all sides of the chassis backplate. If possible leave a minimum of 9½ inch (241 mm) on the left side. Position the backplate on the mounting surface. Mark screw centers and drill four ¼ inch (6.35 mm) holes spaced 10 ⅜ inches (264 mm) on the horizontal center and 6 ⅜ inches (162 mm) on the vertical center. Install the anchors (provided) into the mounting surface. See Figure 9.
3. Install the screws (provided) into the anchors, leaving approximately ¼" of the screw shaft exposed. Position the backplate keyhole slots over the four mounting screws. Press the control center chassis down firmly so that the screws are secure in the keyhole slots. Tighten the screws until snug.

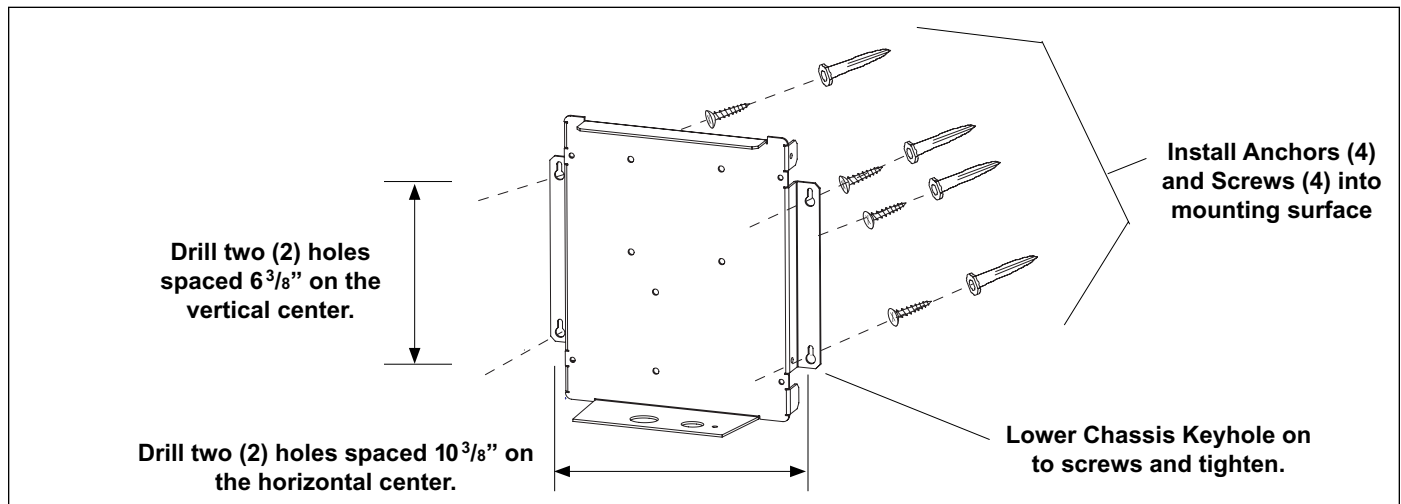


Figure 9. Mounting the Control Center Chassis Backplate

4. Remove the four screws that secure the control center front cover. Remove the front cover.
5. Using two of the four front cover screws, attach the cover to the chassis backplate. Please note that the chassis backplate has side mounting holes on both sides that allow you to secure the cover to either side of the backplate while you make all wire connections (see Figure 10).

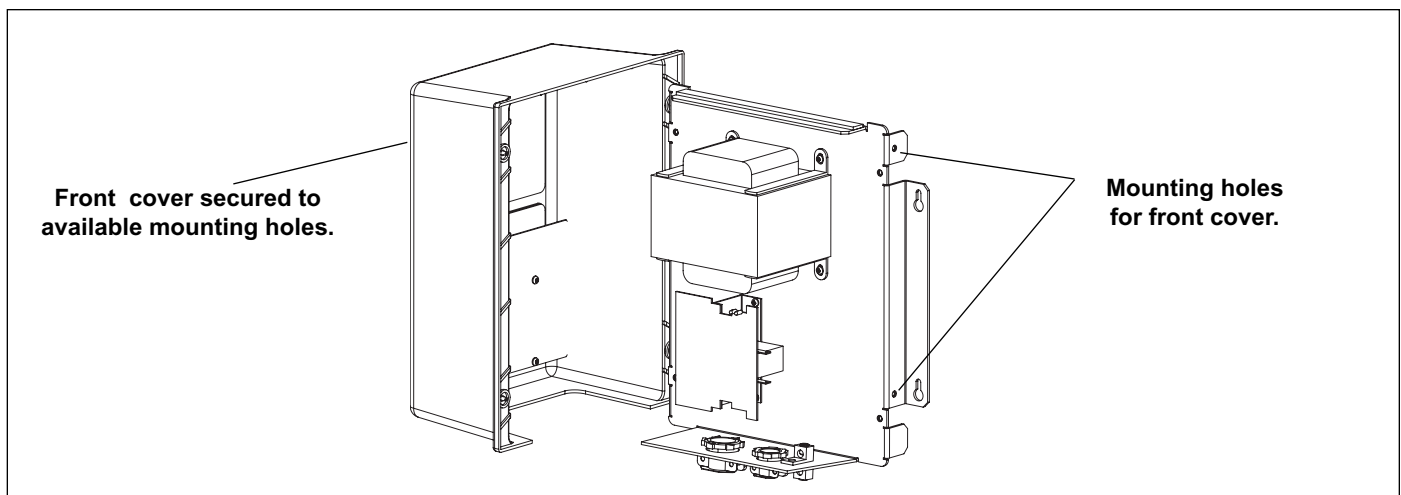


Figure 10. Securing the Control Center Front Cover to the Chassis Backplate

6. Check source voltage. (All units are factory wired for 230 VAC). ***In order to use on 115 VAC, the internal factory wiring of the control center must be changed. (See wiring diagram page 6 Figure 2).***
7. Use #12/3 insulated wire and conduit. Wire control center transformer to pool pump power source. The control center should be connected to the pump motor switch or automatic timer (Pool Pump Timer) as shown in the diagram on page 6 Figure 2. ***The flow portion of the Flow/Temp/Salinity Sensor is a backup device only.*** Attach the third wire (**Ground**) from the electrical panel to the ground point inside the Control Center. ***Earth bonding in Section 3.4 must also be accomplished to insure personal safety and safety of equipment.***

3.4 Earth Bonding (Grounding)

A solid, copper # 8 awg (8.4 mm²) wire is *recommended* for connecting the control center to a Permanent Earth Ground connection that is acceptable to the local inspection authority. Refer to your local codes for the acceptable grounding wire gauge. Attach the bonding point located on bottom of the chassis backplate to a Common Earth Bonding Point. Do not use the AquaPure as the Common Bonding Point. Each piece of non-AquaPure related pool equipment requiring a ground should be bonded to the Common, Approved Earth Bonding Point. ***Never ground pool pump to the chassis backplate.***

3.5 Installing the Cell - Flow/Temp/Salinity Sensor for the PURE700 and PURE1400

NOTE: Maximum operating Pressure is 517 kPa or 75 PSI - Minimum Flow Rate is 20 GPM (76 LPM).

1. Be sure pool pump is turned off.

WARNING

ATTENTION INSTALLER: If The Flow/Temp/Salinity Sensor is not installed properly, it may allow the Cell to operate without water flow. This would cause a buildup of flammable gases resulting in a HAZARDOUS Condition.

- Mount as shown in Figure 11 Detail A. This will result in the most reliable operation.
- The Flow/Temp/Salinity Sensor must be mounted:
 - (1) in the same line as the Electrolytic Cell.
 - (2) with no valves or diverters between the Flow/Temp/Salinity Sensor and Cell.
 - (3) preferably between the Pool Pump and the Cell.
- Do not mount the Flow/Temp/Salinity Sensor as shown in Detail C of Figure 11. This mounting position can be HAZARDOUS.
- Anytime the Flow/Temp/Salinity Sensor is connected or disconnected and reconnected, the AC power to the unit must be turned off and back on (Cycle Power). If power is not cycled, unreliable operation of the Flow/Temp/Salinity Sensor will result.

2. It is recommended that the Flow/Temp/Salinity Sensor and Electrolytic Cell be installed in the pool return line after the filter and heater. Water passes through the Flow/Temp/Salinity Sensor before the Cell. The Cell can be installed in either a horizontal (as shown in Figure 12) or a vertical position.
3. Position the Flow/Temp/Salinity Sensor Tee and Cell in the recommended position (See Figure 11 Detail A) and (page 5 Figure 1).
4. Locate a suitable section of pipe, approximately 21 inches (533 mm) long. The Flow/Temp/Salinity Sensor cable and Cell DC cord ***must*** be able to reach from the control center to this section.

⚠ WARNING

Do not operate the electrolytic cell without water circulation. A buildup of flammable gases will result in hazardous conditions.

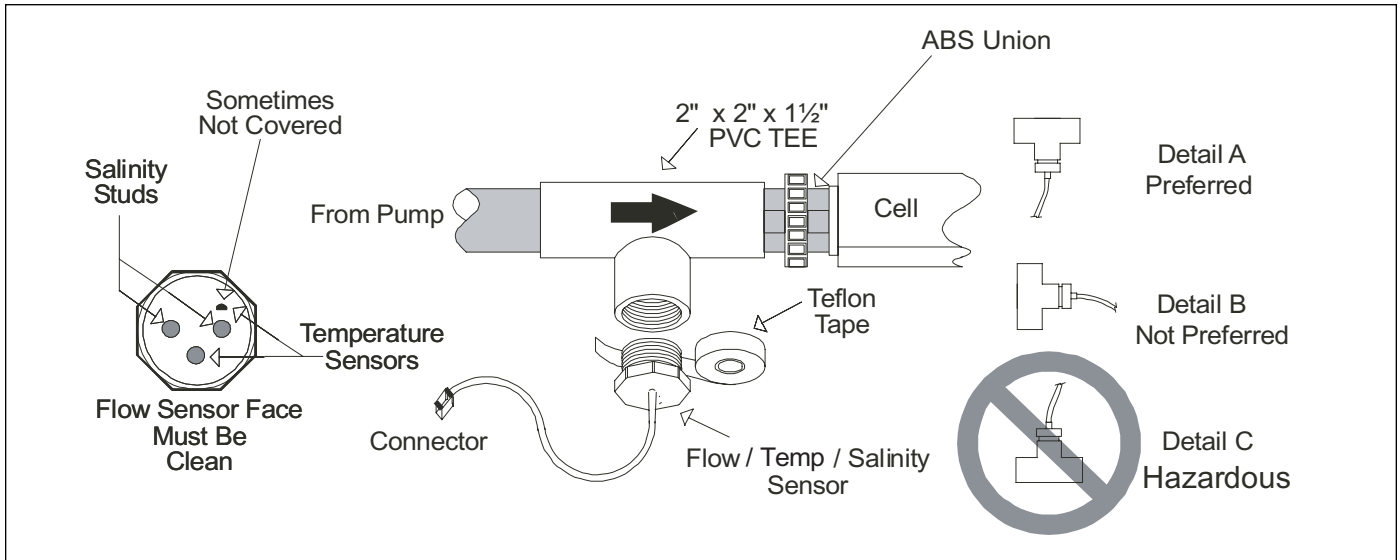


Figure 11. Flow/Temp/Salinity Sensor

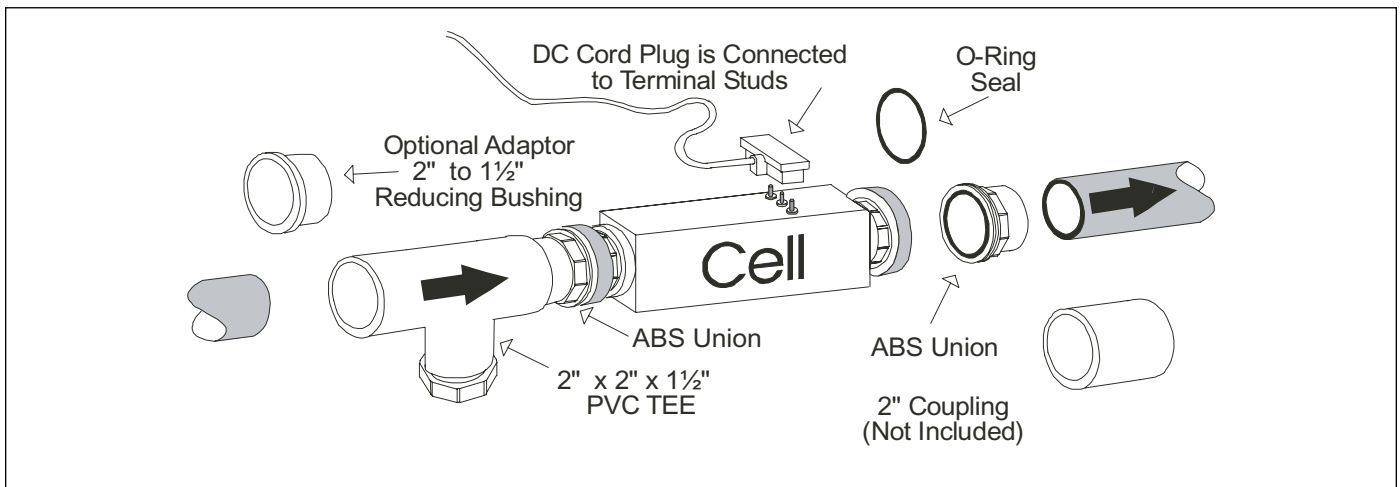


Figure 12. Cell Installation

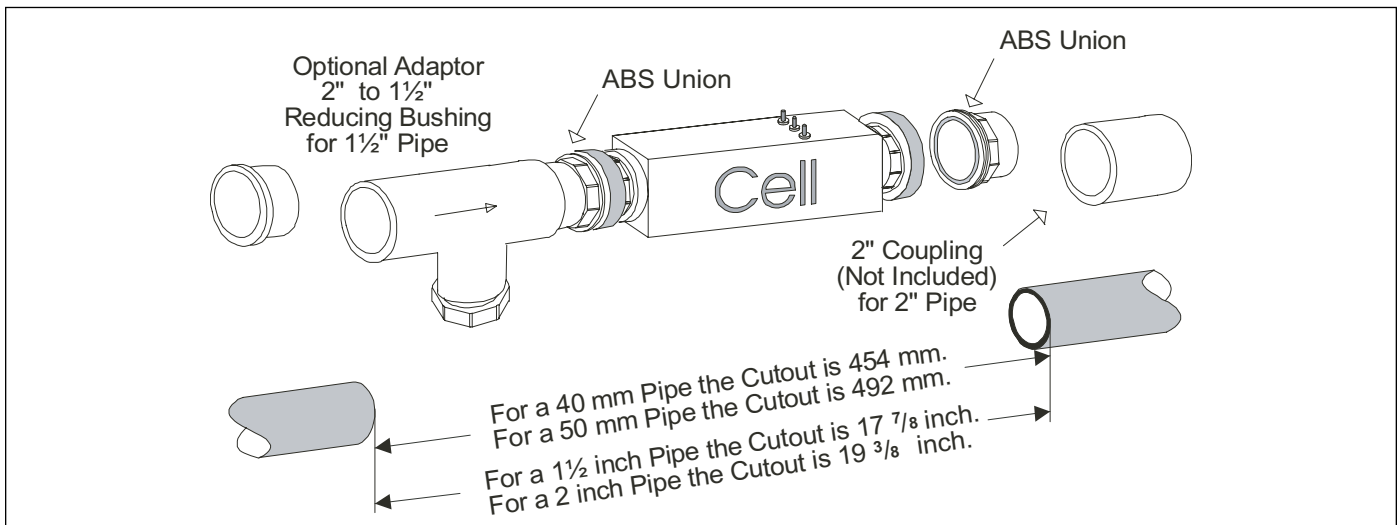


Figure 13. Pipe Cutout

5. If using 1½ inch (40 mm) pipe, cut out a 17 7/8 inch (454 mm) section of pipe to insert the Cell - Flow/Temp/Salinity Sensor Assembly (see Figure 13).
If using 50 mm (2 inch) pipe, cut out a 19 3/8 inch (492 mm) section of pipe to insert the Cell - Flow/Temp/Salinity Sensor Assembly (see Figure 13).
6. Clean the cut ends of the pipe, 2 inch x 2 inch x 1½ inch Tee, and 1½ or 2 inch ABS Union with an appropriate NSF® approved All Purpose cleaner/primer. Glue the ABS Union and PVC Tee onto the cut pipe ends using an appropriate All Purpose NSF® approved Cement. Tighten the ABS Unions. **Hand Tighten Only.** Allow sufficient drying time before pressurizing system.
7. Wrap the Flow/Temp/Salinity Sensor threads with Teflon tape ONLY (do not use silicone or pipe dope). **Be sure the Flow/Temp/Salinity Sensor (circular metal disks) are free of glue, excess Teflon tape, or any other debris.**
8. Install the Flow/Temp/Salinity Sensor into the 1½ inch threaded opening of the 2 inch x 2 inch x 1½ inch Tee. Tighten to prevent water leakage. **Do not over tighten.**
9. Feed the connector end of the Flow/Temp/Salinity Sensor cable through the DC cord strain relief fitting located in the bottom of the control center chassis backplate. **Be certain the connector is clean and dry**, then plug the cable into the connector on the control center Printed Circuit Board as shown on page 6 Figure 2. **(Do not pull Flow/Temp/Salinity Sensor cable too tight, allow a little slack).**
10. Plug the DC cord into the Cell stud terminals protruding from the Cell top. (Plug in - in either direction).
11. Connect the DC cord to the Control Center. Feed the DC cord through the same strain relief fitting as the Flow/Temp/Salinity Sensor. Plug the DC cord into the two push-on connectors located on the control center Printed Circuit Board as shown in Figure 2 on page 6.
12. Tighten strain relief fitting screws for the Flow/Temp/Salinity Sensor and the DC cord. **Do not pull Flow/Temp/Salinity Sensor cable or DC Cord too tight. Allow a little slack cable inside of Control Center Enclosure.**

CAUTION

Do not overtighten the strain relief fitting. Overtightening can cause damage to the Flow/Temp/Salinity Sensor cable.

13. Prior to reattaching front cover, check the wiring. Be sure the Flow/Temp/Salinity Sensor is plugged in. The DC cord should be plugged in. Also, check the AC wiring.
14. Plug the ribbon cable attached to the front cover PC board into Printed Circuit Board mounted on the backplate (See page 6 Figure 2). Now reattach the control center front cover to the backplate.

3.6 Connection to an AquaLink® RS Control System

The Jandy AquaLink RS is a multi-function pool controller and can fully control the function of the AquaPure chlorine generator. The AquaPure will display JA when a button is pressed at the AquaPure while the Jandy AquaLink RS is in control. Adjustment of the AquaPure chlorine production rate can be controlled from the main menu of the Jandy AquaLink RS. Boost mode may be activated from the AquaPure while the AquaLink RS is online. When the AquaLink RS is in Spa Mode, the AquaPure will adjust the output % to 1/10 (one-tenth) of the AquaLink RS setting. For example, if the AquaLink RS is set to 50% output and the system is switched to Spa Mode, the AquaPure will switch to 5% output. Refer to the *AquaLink RS Owners Manual* for more information. The AquaPure temperature, salinity, service codes, and LED indicators operate as normal.

NOTE AquaPure Chlorine Generator will communicate with AquaLink RS using firmware versions JJ or *later*. When the AquaPure is controlled by the optional Jandy AquaLink RS control system, the % output and hours must be adjusted from the AquaLink RS control panel. However, **BOOST** is functional from the AquaPure.

3.6.1 Wiring to a Jandy AquaLink RS

In the AquaLink RS Power Center, wire the AquaPure power *directly* to the LOAD SIDE of the Filter Pump relay (see Figure 14).

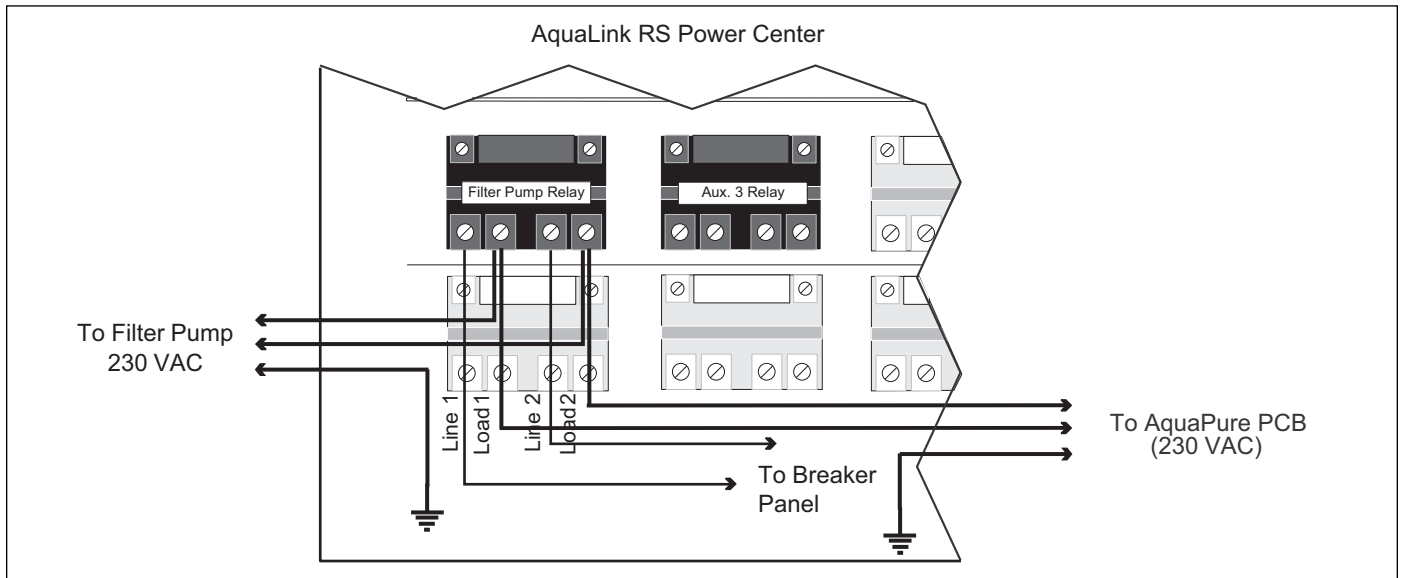


Figure 14. Wiring AquaPure Power to an AquaLink RS Power Center

The Jandy AquaLink RS and AquaPure use a four (4) wire connection to communicate and can be wired up to 500 feet apart. Any outdoor rated four (4) conductor cable can be used. Locate the appropriate screw terminals on the circuit board according to Figure 15. Wire the master AquaPure from the red 4-pin terminal bar to the AquaLink RS red 4-pin terminal bar (see Figure 15).

NOTE The screw terminals are removable to aid in installation.

IMPORTANT Attach the master AquaPure wires to the like-numbered screw terminals on both the AquaPure and AquaLink RS as shown in Figure 15.

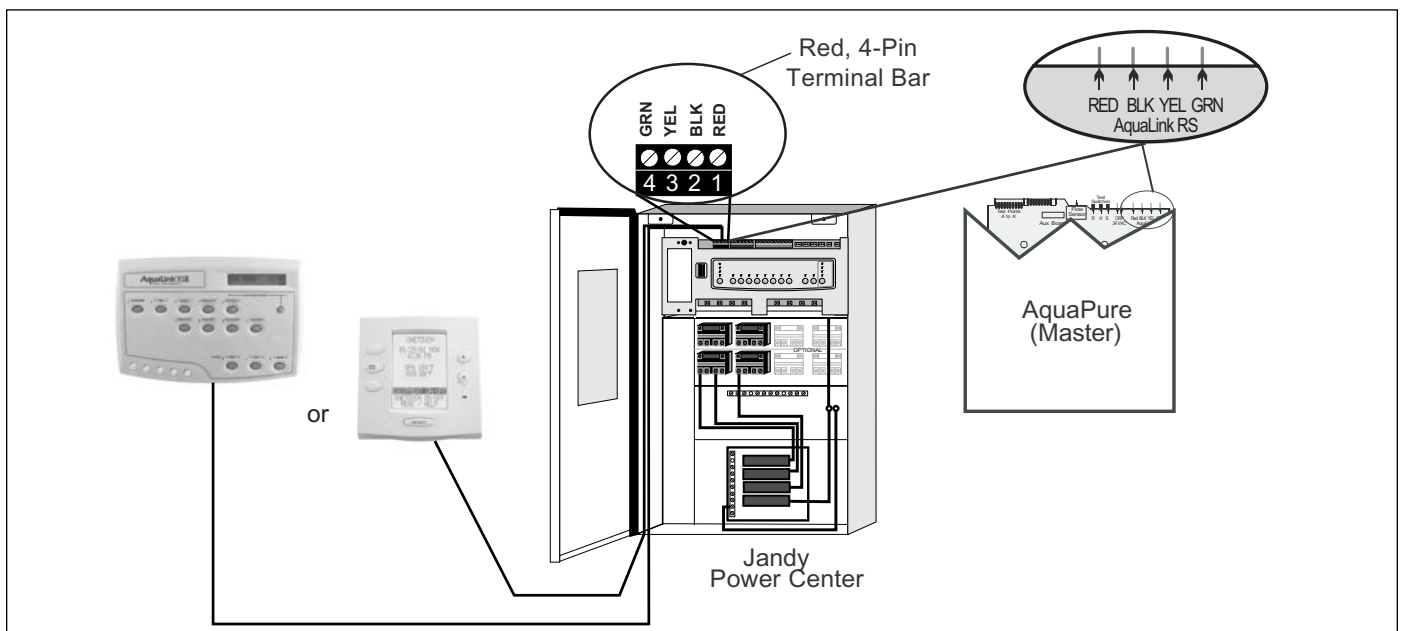


Figure 15. Wiring an AquaPure to an AquaLink RS Control System Network

3.6.2 Wiring Multiple AquaPure Units to a Jandy AquaLink RS

Only the master AquaPure unit can be connected to the AquaLink RS network. Additional AquaPure units may be wired to the Filter Pump relay, but not to the AquaLink RS red, 4-pin terminal bar.

Section 4. Pool Water Preparation



ATTENTION INSTALLER: Various application notes (more detailed instructions) are available from the Dealer covering installation, operation, maintenance, and plumbing of the chlorinator system.

4.1 Determining Pool Size (m³ of Water in Your Pool)

- **Rectangular Pools**
Average length (meters) x average width (meters) x average depth (meters) = m³ capacity.
- **Circular Pools**
Diameter (meters) x diameter (meters) x average depth (meters) x 0.79 = m³ capacity.
- **Oval Pools**
Long diameter (meters) x short diameter (meters) x average depth (meters) x 0.79 = m³ capacity.
- **Sloping Sides**
Multiply total m³ by 0.85 = m³ capacity.

4.2 Determining Pool Size (Gallons of Water in Your Pool)

- **Rectangular Pools**
Average length (feet) x average width (feet) x average depth (feet) x 7.5 = gallon capacity.
- **Circular Pools**
Diameter (feet) x diameter (feet) x average depth (feet) x 5.9 = gallon capacity.
- **Oval Pools**
Long diameter (feet) x short diameter (feet) x average depth (feet) x 5.9 = gallon capacity.
- **Sloping Sides**
Multiply total gallons by 0.85 = gallon capacity.

CAUTION

Never use dry acid to adjust pH in arid geographic areas with excessive evaporation and minimal dilution of pool water with fresh water. A buildup of by-products can damage the electrolytic cell.

4.3 Selecting Model Size

| Model PURE700 | Model PURE1400 |
|--|---|
| Chlorine Production | Chlorine Production |
| 283 gm (0.625 lbs) per 24 Hour period. | 567 gm (1.25 lbs) per 24 Hour period. |
| Residential Pools | Residential Pools |
| One (1) unit per 57 m ³ (up to 15,000 gal) pool (year round use). | One (1) unit per 114 m ³ (up to 30,000 gal) pool (year round use). |
| One (1) unit per 66 m ³ (up to 17,500 gal) pool (winterized). | One (1) unit per 132 m ³ (up to 35,000 gal) pool (winterized). |
| Commercial Pools | Commercial Pools |
| Check With Manufacturer. See Commercial Sizing Guide. | Check With Manufacturer. See Commercial Sizing Guide. |

4.4 Chemistry You Need to Know

1. **Chlorine Stabilizer** (cyanuric acid) is needed to maintain proper levels of chlorine. Most unstable chlorine is destroyed by the UV radiation from the sun within 2 hours. Chlorine stabilizer should be maintained between 50 - 75 PPM. See Table 3, page 21.
2. **Nitrates** can cause extremely high chlorine demands and will deplete chlorine from your swimming pool. In some cases Nitrates may even lower your chlorine levels to zero. Your local pool professional can test for Nitrates. Make sure Nitrates are not present in your pool.
3. **Metals** (some metals) can cause loss of chlorine. Also, metals can stain your pool. Have your local pool professional check for metals and recommend methods of removal.
4. **Chloramines** should not be present in pool water. When organic materials combine with Free Chlorine, Chloramines are formed. This ties up the Free Chlorine in your pool and does not allow the chlorine in your pool to disinfect. Chloramines also cloud pool water and burn the eyes. (Super Chlorinate (shock) to remove Chloramines at the initial startup of the pool).
5. **Super Chlorination** (Shocking) burns out the organic material that has combined with chlorine. This frees the chlorine for sanitizing. This is accomplished by raising the chlorine level quickly and dramatically. When the chlorine level is raised to 5 - 15 PPM the pool water is said to have been Super Chlorinated (shocked). As pool water is continuously passed through the AquaPure Electrolytic Cell, all pool water inside the cell is being Super Chlorinated. When the AquaPure is used on pools the pool water sparkles and does not burn the eyes because of the absence of Chloramines.

NOTE On initial startup of a pool, it is best to Super Chlorinate from an outside source, i.e., use a shock treatment available at your local pool supplier.

6. **pH** produced by the AquaPure is close to Neutral pH. However, other factors usually cause the pH of the pool water to rise. Therefore, the pH in a pool chlorinated by the AquaPure tends to stabilize at approximately 7.8. This is within NSPI standards. If the pool pH rises above 7.8 have a pool professional test to see if other factors such as high Calcium Hardness or Total Alkalinity are the cause and then balance accordingly.
7. **Total Dissolved Solids (TDS)** Adding salt to pool water will raise the TDS level. While this does not adversely affect the pool water chemistry or clarity, the pool water professional testing for TDS must be made aware salt has been added for the AquaPure system. The individual performing the TDS test will then subtract the salinity level to arrive at the correct TDS level.
8. New Pool Water in a recently filled or newly refinished pool may contain undesirable matter. This undesirable matter could interfere with the AquaPure's ability to chlorinate properly. Make sure the water is tested by a pool professional and properly balanced before turning on the AquaPure.

4.5 Optimum Pool Water Conditions

In accordance with National Spa and Pool Institute (NSPI) standards, we recommend the following water balance conditions be maintained on an on-going basis to protect the pool finish and equipment and ensure the pleasing appearance of the water. The AquaPure is warranted to operate properly only if these conditions are met.

| | |
|--|---|
| Free Chlorine | 1.0 - 3.0 PPM. Above 3.0 PPM may cause corrosion of pool metals. |
| Combined Chlorine (Chloramines) | None (Super Chlorinate to remove all Chloramines). |
| pH | 7.2 - 7.8 (USE MURIATIC ACID to lower pH and Soda Ash to raise pH). |
| Chlorine Stabilizer (Cyanuric Acid) | 50 - 75 PPM |
| Total Alkalinity | 80 - 120 PPM |
| Calcium Hardness | 150 - 400 PPM |
| Metals (Copper, Iron, Manganese) | None |
| Nitrates | None |

4.6 Chlorine Testing

It is recommended that chlorine test samples be taken from two places. Compare the samples. A higher level should be found at the pool return line. The higher level at the pool return line indicates the AquaPure is producing chlorine.

1. At the pool return line.
2. 18 inches (457 mm) below the surface and well away from the pool return line.

4.7 Salt (NaCl sodium chloride)

4.7.1 What Type of Salt to Use?

- The purer the salt the better the life and performance of the electrolytic cell. Use a salt that is at least 99.8% pure NaCl. The preferred salt is an evaporated, granulated, food quality, non-iodized salt. Consult your salt supplier.
- Avoid using salt with anti-caking agents (sodium ferrocyanide, also known as YPS or yellow prussiate of soda) that could cause some discoloration of fittings and surface finishes in pool.
- Water conditioning salt pellets are compressed forms of evaporated salt and may be used but will take longer to dissolve.
- Do Not use calcium chloride as a source of salt. (Use sodium chloride only).
- Do Not use Rock salt (insoluble impurities mixed with the rock salt can shorten the life of the unit).

4.7.2 How Much Salt to Use?

Use Table 1 on page 20 to determine how much salt will be needed. Most pools contain some salt depending on the water source and chemicals used for sanitizing. If the AquaPure has not been wired and turned on yet, a hand held meter calibrated for NaCl (salt) can be used to determine the existing salt concentration of the water. If the AquaPure is wired in (connected), use it to determine the salinity.

Turn the Chlorine Production down to 00% by pressing the arrow button **A** on front of the control center. Operating the unit above 00% production without salt will damage Cell. The **Salinity** button **C** on the AquaPure can be used to determine salinity in the case of a new pool installation, or a complete water change so long as the Chlorine Production is set to 00%. See page 25, Section 5.4.2, step 2.

- 3.0 to 3.5 gpl of salt is recommended for optimum water conditions.
- Low salt concentration below 2.0 gpl will cause premature cell failure.
- High salt concentration above 4.0 gpl may damage the control center.
- High salt concentration above 6.0 gpl may cause corrosion damage to pool fixtures.

NOTE Should too much salt be inadvertently added to the pool see “Troubleshooting” page 30.

NOTE To convert gpl (grams per liter) of a salt solution to PPM (Parts Per Million) of a salt solution multiply by 1000, i.e., 3.0 gpl salt X 1000 = 3000 PPM salt.

4.7.3 How to Add Salt to the Pool?

1. Turn on pump to circulate pool water.
2. **IMPORTANT - Turn the AquaPure off by pressing the arrow button A and setting CHLORINE PRODUCTION Rate to 00%.**
3. Determine amount of salt from the following charts.
4. Broadcast or spread the salt into the outer perimeter of the pool, or into the shallow end of the pool for quick and even distribution.
5. **To avoid clogging the filter or damaging control center and pump, do not add salt through the skimmer, main drain, or surge tank.**
6. Brush the pool bottom and allow water to circulate for 24 hours to dissolve completely and mix evenly with the pool water.
7. After 24 hours, verify correct salt reading.
8. Turn on the AquaPure and set to desired Production rate (Press arrow button **B**).

Table 1. Approximate Pounds (kg) of Salt Needed to Obtain 3.0 gpl (3,000 PPM) in Pool

| Salt Conc. Before Addition | Pool Size (gallons) | | | | | | | | | | | |
|----------------------------|-------------------------------|-------------------------------|-------------------------------|-------------------------------|-------------------------------|-------------------------------|-------------------------------|-------------------------------|-------------------------------|--------------------------------|--------------------------------|--|
| | 38 m ³ (10,000) | 45 m ³ (12,000) | 53 m ³ (14,000) | 60 m ³ (16,000) | 68 m ³ (18,000) | 76 m ³ (20,000) | 83 m ³ (22,000) | 91 m ³ (24,000) | 98 m ³ (26,000) | 106 m ³ (28,000) | 113 m ³ (30,000) | |
| 0.00 gpl | 113 kg (250 lbs) | 136 kg (300 lbs) | 159 kg (350 lbs) | 181 kg (400 lbs) | 204 kg (450 lbs) | 227 kg (500 lbs) | 249 kg (550 lbs) | 272 kg (600 lbs) | 295 kg (650 lbs) | 318 kg (700 lbs) | 340 kg (750 lbs) | |
| 0.25 gpl | 104 kg (230 lbs) | 127 kg (280 lbs) | 145 kg (320 lbs) | 168 kg (370 lbs) | 188 kg (415 lbs) | 209 kg (460 lbs) | 231 kg (510 lbs) | 249 kg (550 lbs) | 272 kg (600 lbs) | 293 kg (645 lbs) | 313 kg (690 lbs) | |
| 0.50 gpl | 95 kg (210 lbs) | 113 kg (250 lbs) | 134 kg (295 lbs) | 154 kg (340 lbs) | 172 kg (380 lbs) | 191 kg (420 lbs) | 209 kg (460 lbs) | 229 kg (505 lbs) | 247 kg (545 lbs) | 268 kg (590 lbs) | 286 kg (630 lbs) | |
| 0.75 gpl | 86 kg (190 lbs) | 104 kg (230 lbs) | 122 kg (270 lbs) | 136 kg (300 lbs) | 154 kg (340 lbs) | 172 kg (380 lbs) | 191 kg (420 lbs) | 209 kg (460 lbs) | 225 kg (495 lbs) | 240 kg (530 lbs) | 259 kg (570 lbs) | |
| 1.00 gpl | 75 kg (165 lbs) | 91 kg (200 lbs) | 104 kg (230 lbs) | 120 kg (265 lbs) | 136 kg (300 lbs) | 150 kg (330 lbs) | 163 kg (360 lbs) | 181 kg (400 lbs) | 195 kg (430 lbs) | 209 kg (460 lbs) | 225 kg (495 lbs) | |
| 1.25 gpl | 66 kg (145 lbs) | 79 kg (175 lbs) | 91 kg (200 lbs) | 104 kg (230 lbs) | 118 kg (260 lbs) | 132 kg (290 lbs) | 145 kg (320 lbs) | 159 kg (350 lbs) | 172 kg (380 lbs) | 186 kg (410 lbs) | 197 kg (435 lbs) | |
| 1.50 gpl | 57 kg (125 lbs) | 68 kg (150 lbs) | 79 kg (175 lbs) | 91 kg (200 lbs) | 102 kg (225 lbs) | 113 kg (250 lbs) | 125 kg (275 lbs) | 136 kg (300 lbs) | 147 kg (325 lbs) | 159 kg (350 lbs) | 170 kg (375 lbs) | |
| 1.75 gpl | 48 kg (105 lbs) | 59 kg (130 lbs) | 68 kg (150 lbs) | 77 kg (170 lbs) | 86 kg (190 lbs) | 95 kg (210 lbs) | 104 kg (230 lbs) | 113 kg (250 lbs) | 125 kg (275 lbs) | 134 kg (295 lbs) | 143 kg (315 lbs) | |
| 2.00 gpl | 39 kg (85 lbs) | 45 kg (100 lbs) | 54 kg (120 lbs) | 63 kg (140 lbs) | 68 kg (150 lbs) | 77 kg (170 lbs) | 86 kg (190 lbs) | 93 kg (205 lbs) | 100 kg (220 lbs) | 109 kg (240 lbs) | 116 kg (255 lbs) | |
| 2.25 gpl | 27 kg (60 lbs) | 32 kg (70 lbs) | 39 kg (85 lbs) | 45 kg (100 lbs) | 50 kg (110 lbs) | 54 kg (120 lbs) | 59 kg (130 lbs) | 66 kg (145 lbs) | 73 kg (160 lbs) | 76 kg (168 lbs) | 82 kg (180 lbs) | |
| 2.50 gpl | 18 kg (40 lbs) | 23 kg (50 lbs) | 27 kg (60 lbs) | 29 kg (65 lbs) | 32 kg (70 lbs) | 36 kg (80 lbs) | 41 kg (90 lbs) | 45 kg (100 lbs) | 48 kg (105 lbs) | 50 kg (110 lbs) | 54 kg (120 lbs) | |
| 2.75 gpl | 9 kg (20 lbs) | 11 kg (25 lbs) | 14 kg (30 lbs) | 14 kg (30 lbs) | 18 kg (40 lbs) | 18 kg (40 lbs) | 20 kg (45 lbs) | 23 kg (50 lbs) | 23 kg (50 lbs) | 27 kg (60 lbs) | 27 kg (60 lbs) | |

NOTE Add salt as required to maintain 3.0 gpl concentration

IMPORTANT Add 1.25 lbs (0.57 kg) of Stabilizer per 50 lbs (22.7 kg) of Salt.

Table 2. Approximate Pounds (kg) of Salt Needed to Maintain 3.0 gpl (3,000 PPM)

| Salt Concentration. Before Addition | Salt Addition Required per 1000 gallon pool capacity | Salt Concentration Before Addition | Salt Addition Required per 1000 gallon pool capacity |
|-------------------------------------|--|------------------------------------|--|
| 0.0 gpl | 25.6 lbs (11.6 kg) | 1.5 gpl | 12.8 lbs (5.8 kg) |
| 0.3 gpl | 23.5 lbs (10.7 kg) | 1.8 gpl | 10.7 lbs (4.8 kg) |
| 0.5 gpl | 21.4 lbs (9.7 kg) | 2.0 gpl | 8.5 lbs (3.9 kg) |
| 0.8 gpl | 19.2 lbs (8.7 kg) | 2.3 gpl | 6.4 lbs (2.9 kg) |
| 1.0 gpl | 17.1 lbs (7.8 kg) | 2.5 gpl | 4.2 lbs (1.9 kg) |
| 1.3 gpl | 15 lbs (6.8 kg) | 2.8 gpl | 2.2 lbs (1 kg) |

Table 3. Approximate Amount of Chlorine Stabilizer (Cyanuric Acid) Needed to Obtain 75 PPM

| Stabilizer Level Before Addition | Pool Size (gallons) | | | | | | | | | | |
|----------------------------------|-------------------------------|-------------------------------|-------------------------------|-------------------------------|-------------------------------|-------------------------------|-------------------------------|-------------------------------|-------------------------------|--------------------------------|--------------------------------|
| | 38 m ³ (10,000) | 45 m ³ (12,000) | 53 m ³ (14,000) | 60 m ³ (16,000) | 68 m ³ (18,000) | 76 m ³ (20,000) | 83 m ³ (22,000) | 91 m ³ (24,000) | 98 m ³ (26,000) | 106 m ³ (28,000) | 113 m ³ (30,000) |
| 0.00 PPM | 2.8 kg (6.25 lbs) | 3.4 kg (7.50 lbs) | 4 kg (8.75 lbs) | 4.5 kg (10.0 lbs) | 5 kg (11.25lb) | 5.7 kg (12.5 lbs) | 6.2 kg (13.75 lbs) | 6.8 kg (15.0 lbs) | 7.4 kg (16.3 lbs) | 7.9 kg (17.5 lbs) | 8.5 kg (18.75 lbs) |
| 10 PPM | 2.5 kg (5.40 lbs) | 2.9 kg (6.50 lbs) | 3.5 kg (7.60 lbs) | 3.9 kg (8.60 lbs) | 4.4 kg (9.75 lbs) | 5 kg (10.8 lbs) | 5.4 kg (11.90 lbs) | 5.8 kg (12.9 lbs) | 6.3 kg (14.0 lbs) | 6.9 kg (15.2 lbs) | 7.4 kg (16.25 lbs) |
| 20 PPM | 2 kg (4.60 lbs) | 2.5 kg (5.50 lbs) | 2.9 kg (6.40 lbs) | 3.3 kg (7.30 lbs) | 3.7 kg (8.25 lbs) | 4.1 kg (9.20 lbs) | 4.5 kg (10.0 lbs) | 4.9 kg (10.9 lbs) | 5.4 kg (11.9 lbs) | 5.8 kg (12.8 lbs) | 6.2 kg (13.75 lbs) |
| 30 PPM | 1.7 kg (3.75 lbs) | 2 kg (4.50 lbs) | 2.4 kg (5.25 lbs) | 2.7 kg (6.00 lbs) | 3 kg (6.75 lbs) | 3.4 kg (7.50 lbs) | 3.7 kg (8.25 lbs) | 4 kg (9.00 lbs) | 4.4 kg (9.75 lbs) | 4.8 kg (10.5 lbs) | 5.3 kg (11.75 lbs) |
| 40 PPM | 1.3 kg (2.90 lbs) | 1.6 kg (3.50 lbs) | 1.8 kg (4.00 lbs) | 2 kg (4.60 lbs) | 2.4 kg (5.25 lbs) | 2.6 kg (5.80 lbs) | 2.9 kg (6.40 lbs) | 3.1 kg (6.90 lbs) | 3.4 kg (7.58 lbs) | 3.7 kg (8.20 lbs) | 4 kg (8.75 lbs) |
| 50 PPM | 1 kg (2.00 lbs) | 1.1 kg (2.50 lbs) | 1.3 kg (2.90 lbs) | 1.5 kg (3.30 lbs) | 1.7 kg (3.75 lbs) | 1.9 kg (4.10 lbs) | 2 kg (4.60 lbs) | 2.2 kg (4.90 lbs) | 2.4 kg (5.40 lbs) | 2.6 kg (5.80 lbs) | 2.8 kg (6.25 lbs) |
| 60 PPM | 0.5 kg (1.25 lbs) | 0.7 kg (1.50 lbs) | 0.8 kg (1.75 lbs) | 1 kg (2.00 lbs) | 1 kg (2.25 lbs) | 1.1 kg (2.50 lbs) | 1.2 kg (2.75 lbs) | 1.4 kg (3.00 lbs) | 1.5 kg (3.25 lbs) | 1.6 kg (3.50 lbs) | 1.7 kg (3.75 lbs) |
| 70 PPM | 0.2 kg (0.40 lbs) | 0.2 kg (0.50 lbs) | 0.3 kg (0.60 lbs) | 0.3 kg (0.66 lbs) | 0.3 kg (0.75 lbs) | 0.4 kg (0.80 lbs) | 0.4 kg (0.90 lbs) | 0.4 kg (1.00 lbs) | 0.5 kg (1.10 lbs) | 0.5 kg (1.20 lbs) | 0.6 kg (1.25 lbs) |
| 75 PPM | 0 kg (0.0 lbs) | 0 kg (0.0 lbs) | 0 kg (0.0 lbs) | 0 kg (0.0 lbs) | 0 kg (0.0 lbs) | 0 kg (0.0 lbs) | 0 kg (0.0 lbs) | 0 kg (0.0 lbs) | 0 kg (0.0 lbs) | 0 kg (0.0 lbs) | 0 kg (0.0 lbs) |

NOTE Add 1.25 lbs (0.57 kg) Chlorine Stabilizer to the pool every time 50 lbs (22.7 kg) of Salt is added to the pool. The Stabilizer reading should be maintained at 75 PPM.

Section 5. Operating Instructions

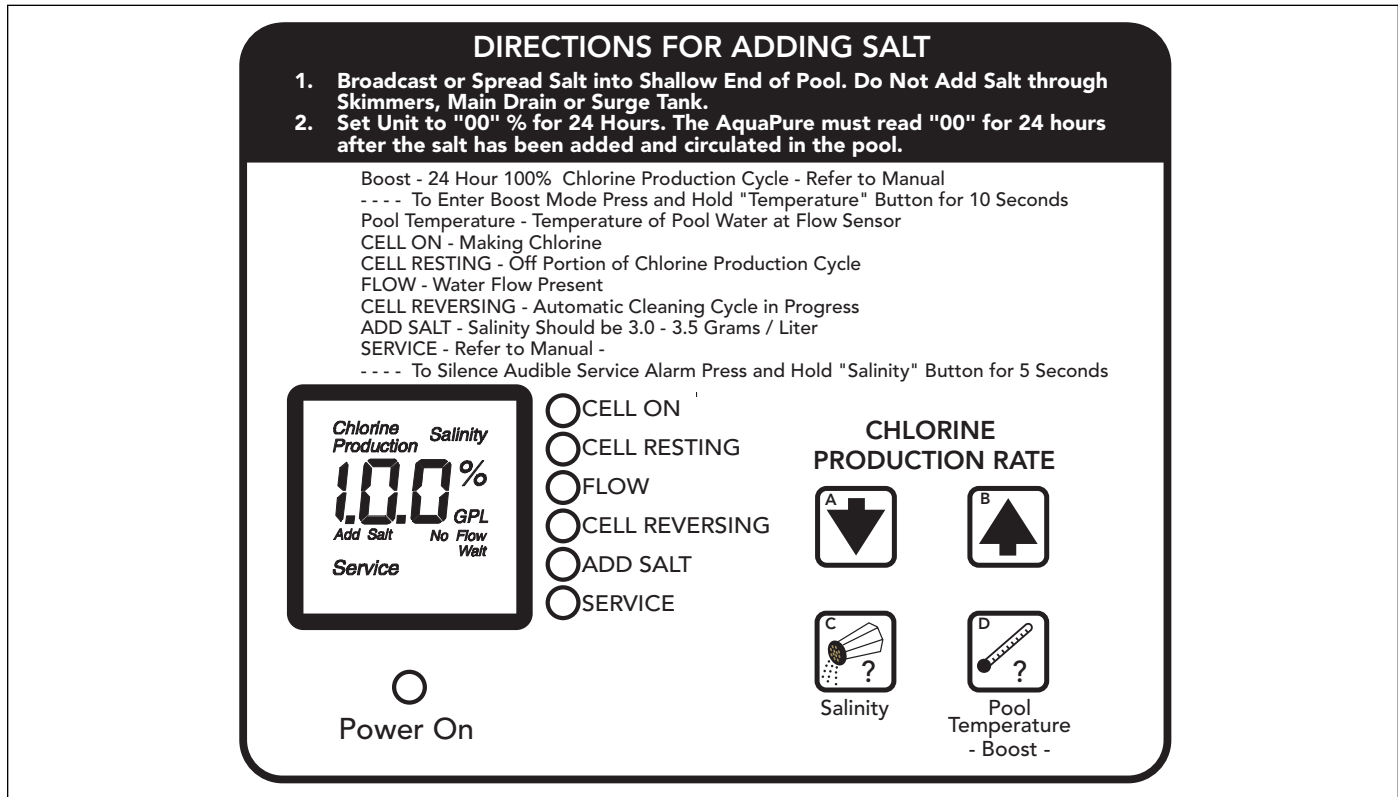


Figure 16. Control Center Front Panel

5.1 Using the Front Panel Controls

NOTE With the exception of **Boost**, the front panel buttons can not be used when the AquaPure is controlled by the AquaLink RS. If arrow button **A** or arrow button **B** is pressed, **JA** in the AquaPure display indicates that the AquaLink RS is controlling the AquaPure and desired output percentages.

Chlorine Production Rate (more or less) Adjustment Pressing the arrow button **A** or arrow button **B** will change the **CHLORINE PRODUCTION** in 1% increments. Generally, adjustments to production should be made in 10% increments.

Salinity Press the **Salinity** button **C** to check the salinity of the water in pool.

Boost Press and hold the **Temperature** button **D** for 10 seconds to enter the **Boost** mode (Note 'bo' will flash intermittently). **Boost** can be used to set chlorine production to maximum (100%) for 24 hours of operation. After 24 hours of chlorinator run time, chlorine production will return to previous setting. To clear the **Boost** mode, press and hold the **Temperature** button again for 10 seconds.

NOTE When a pool pump timer is used to limit chlorinator run time, the 24 hours will only count down when the chlorinator is on.

Temperature Press the **Temperature** button **D** to check the pool water temperature. Temperature measurements can be displayed in either Fahrenheit or Celsius. For more information, see Section 8, *Temperature Conversion*.

5.2 Reading the Display

| | |
|-----------------------------------|---|
| Cell On | The CELL ON indicator shows that the cell has been turned on by the control center. Some reasons for the CELL ON indicator not being on during normal operation, are: CHLORINE PRODUCTION set to 00%, CHLORINE PRODUCTION set to less than 100% and Cell Resting appears during cell rest period, NO FLOW condition, two minutes before automatic cleaning cycle, Low temperature cut off has been activated, or a service related problem such as a salinity level below 2.0 gpl or salinity level too high. |
| Cell Resting | During the Normal chlorine production cycle when the unit is set for less than 100% the cell will periodically rest, i.e., not make chlorine. The CELL RESTING indicator shows that the cell has been turned off by the control center. The reason for the CELL RESTING indicator, during normal operation, is CHLORINE PRODUCTION set to less than 100%. |
| Flow or No Flow Indication | When the control center determines that water is flowing past the Flow/Temp/Salinity Sensor, the FLOW indicator is displayed. When no flow is detected, the NO FLOW is displayed and the cell is turned off. |
| Cell Reversing | The automatic cleaning cycle of the AquaPure is in progress. The cleaning cycle is factory set and cannot be adjusted. Cell Reversing does not interrupt the production of Chlorine. |
| Salinity | Salinity is displayed along with the gpl (grams per liter) indicator, when the Salinity button is depressed. If a reading of HH appears, the salinity is above 4.5 to 6.5 gpl (depending on pool temperature) and is too high to measure correctly (at normal temperatures). Maintain Salinity between 3.0 and 3.5 gpl. See pages 18 through 21. |
| Add Salt | The ADD SALT indicator comes on when the Flow/Temp/Salinity Sensor determines that the salinity level of the pool water is too low. Maintain Salinity between 3.0 and 3.5 gpl. |
| Service and Service Code | The SERVICE indicator will turn on whenever the AquaPure detects a problem that requires attention. The SERVICE indicator is accompanied by a service code displayed on the front panel, displayed as a 3 digit code. The service code(s) are displayed twice per minute with an audible alarm. |

NOTE See "Service Codes" page 33. Problems can range from insufficient salinity to the DC cord not connected. See troubleshooting.

| | |
|----------------------|---|
| Audible Alarm | An audible alarm (beep) sounds once per hour, and only for the first service code when a Service condition is detected. The Alarm can be cleared by pressing and holding the Salinity button C for 5 seconds. The audible alarm can be cleared for 24 hours or until the power to the unit is turned off and back on whichever comes first. However, the audible alarm will return if a new problem is detected. |
|----------------------|---|

NOTE The audible alarm can be permanently disabled by removing the blue jumper from J10 on the control center front cover PCB.

Beeper Control Beeper operation and volume control can be adjusted.

To adjust volume control, press and hold the TEMPERATURE button for 15 seconds. The system will beep once when pressed, once after 10 seconds and once after 15 seconds. Release the key after the third beep.

Press the SALINITY button within 5 seconds to enter the temperature change screen.

The system will display a '1' followed by 'F' or 'C'. Press the TEMPERATURE button to move to the second parameter screen. The screen will display a 0, and the beeper volume will be fully reduced. The system will occasionally show a '2' to display the screen number.

Press the arrow button B to increase the volume and the arrow button A to reduce the volume. The volume increments from 0 to 100 in 20 steps. After each press of the arrow buttons, the beeper will activate to demonstrate the current volume level.

When the beeper volume has been adjusted to the desired setting, press the SALINITY button to confirm the new beeper volume setting. The change will be stored in permanent memory.

If you do not wish to keep the change, wait 5 seconds, and the change screen will 'time out' and return to normal operation without keeping any changes to the system. Any changes made to the beeper volume will NOT be saved if this occurs.

The Boost cycle is normally activated after 10 seconds, however, if the key is held down until after the third beep at 15 seconds, the Boost mode will not be changed.

5.3 Operation

CAUTION

Before attempting to operate refer to page 16 - Pool Water Preparation. Also, do not adjust Chlorine production above 00% until it is certain that salt has been dissolved in pool. Operating without salt will damage Electrolytic Cell.

Use of an external Pool Pump Timer is not required. The AquaPure is designed to supply a sufficient amount of chlorine to sanitize pool water on a daily basis. If the AquaPure is operated 24 hours a day at 100%, more chlorine would be generated than would be needed by most pools (1-3 PPM). The AquaPure has its own internal timer which cycles the electrolytic cell on and off depending on what percent the Chlorine Production is set. For instance, at 100% the cell works all the time. When set at 90%, the cell is allowed to rest 10% of the time prolonging cell life. In order to fine tune the AquaPure to any size pool just increase or decrease the Chlorine Production from 1% to 100%. (see "Apply Power" Section 5.4.2, page 25, steps 1-5)

NOTE When the AquaPure is controlled by the AquaLink RS, Chlorine Production can be adjusted in 5% increments.

- Check Chlorine Level on a regular basis and adjust AquaPure accordingly.

If you use a Pool Pump Timer The National Spa and Pool Institute (NSPI) recommends that all water in a residential pool pass through the filtration system at least once every 12 hours (referred to as pool water turnover). However, many factors have an effect on actual pump and filter system run times. Pool size, source of water, direct sun light, indoor/outdoor, screened/unscreened, filtration system, cold or hot weather, swimmer load, rain, organic debris, algae, etc., are all factors which contribute to either more or less pool pump and filter system run times. Because of these differences, it is extremely difficult to set an initial run time (starting point) for the pool pump and chlorinating system.

Try initially setting the Pool Pump Timer to 12 hours. It will take a few days to get just the right pool pump operating time. Adjust accordingly using the steps listed below (Section 5.4.2, steps 1-5). When the AquaPure is wired with a Pool Pump Timer (See page 6 Figure 2) **results will vary greatly from one pool installation to the next, so this should be discussed with either the pool builder or the local pool professional. The key points are:**

- Operate pool pump at least the minimum time needed for good filtration.
- The Pool Pump Timer reduces energy consumption.

NOTE Exception - For Cold Weather Operation: If the AquaPure is run 24 hours a day through the winter, extremely cold water temperatures can effect Cell life. Sometimes it will be necessary to run the AquaPure at a very low production rate of 10% to 20% or to turn the unit off. See winterizing on page 29.

5.4 Startup

5.4.1 Shocking

Shocking (Super Chlorination) is recommended before pool startup. Start out with good pool water from the beginning. The AquaPure will build up a sufficient level of chlorine for sanitation in several hours. However, if pool water has a high demand from the startup the AquaPure will not be able to produce enough chlorine to reach break point chlorination. So, it is best to super chlorinate from an outside source at the time of pool startup. Then, wait until the chlorine level has returned to 1 to 3 PPM before turning on the AquaPure.

5.4.2 Apply Power

1. Turn on the pool pump switch or Pool Pump Timer. When the AquaPure is first turned on (cold), the unit will beep. Next it will self-calibrate the Flow/Temp/Salinity Sensor. After going through an internal test and calibration, the LCD will display the current setting for Chlorine Production (00% to 100%). During the calibration period “Wait” will appear. “Wait” means the unit is self calibrating and doing internal testing. This usually takes less than 6 minutes.
2. Check salinity level by pressing the **Salinity** button. It should read between 3.0 gpl and 3.5 gpl. If it does not then press the **Salinity** button two or three more times until the salinity reading stabilizes.

NOTE If still less than 3.0 gpl refer to pages 18 through 20 and adjust salt level. (Maintain the Recommended Salinity Level of 3.0 to 3.5 gpl). If salinity is below 2.0 gpl the AquaPure will automatically turn the cell off until the salinity is raised above 2.0 gpl, since operating with low salt will damage Cell. Likewise, if salinity is above the range of measurement the AquaPure will automatically turn the cell off until the salinity is lowered to a measurable level, since operating with high salt will damage the control center. If salinity is greater than 3.5 gpl, see Troubleshooting, page 30.

3. Adjust the Chlorine Production to 50% by pressing the arrow button **B**.

4. After 24 hours, use a reliable test kit to test the pool water for free active chlorine. The ideal range to maintain is 1-3 PPM. If the chlorine content of the pool water is *too low, increase chlorine production by pressing the arrow button B*. If the chlorine content of the water is *too high, Decrease chlorine production by pressing the arrow button A*. Adjust in 10% increments initially then in smaller increments as the correct chlorine level is approached.
5. Due to a varying chlorine demand of pool water, it may take a few days to determine the correct pool pump operating time and chlorine production percentage setting for your pool. Continue adjusting as necessary, allowing 24 hours between adjustments until the chlorine content of the pool water has stabilized at 1-3 PPM.

5.5 Operating in Winter

See Winterizing on Page 29.

5.6 Recommendations

DO List

- Read and keep your manual in a safe place.
- Increase Chlorine Production before party time and return to normal afterwards.
- Increase Chlorine Production when temperature goes up.
- Increase Chlorine Production when number of guests goes up.
- Use Stabilizer (Cyanuric Acid) to Stabilize Chlorine in Pool.
- Mount Control Center in shade or out of the direct sunlight whenever possible.
- Decrease Production when temperature goes down. Fall/winter etc.
- Take Pool water sample to Pool Professional once per month.

DON'T List

- Do not get fertilizer in your pool. Fertilizers contain nitrates which cause a high chlorine demand on pool water.
- Never use dry acid to adjust pH in arid geographic areas with excessive evaporation and minimal dilution of pool water with fresh water. A build up of by products can damage the electrolytic cell.
- Do not add any pool water balancing chemicals (including salt) unless the AquaPure is turned off.
- Do not let Chlorine Stabilizer drop below 50 PPM.
- Do not add salt without first checking the pool salinity level. Too much salt can disable and possibly damage the chlorinator.

Section 6. User Maintenance Instructions

The following information describe how to care for your AquaPure.

6.1 Daily

None.

6.2 Weekly

1. **Chlorine Test.** Test pool water chlorine level with a reliable test kit. Maintain ideal range by adjusting the AquaPure chlorine production rate as discussed on pages 25 through 26 steps 3, 4, and 5. Recommended Free Chlorine is 1-3 PPM.

NOTE It is recommended that chlorine test samples be taken from two places, one at the pool return line, the other well away from the pool return line. Compare the samples. A higher level should be found at the pool return line. The higher level at the pool return line indicates the AquaPure is producing chlorine.

2. **pH Level Test.** Test the pH level of your pool with a test kit. If necessary, adjust according to your pool professional's recommendations. NSPI standard of 7.2 - 7.8 is recommended.

CAUTION

Never use dry acid to adjust pH in arid geographic areas with excessive evaporation and minimal dilution of pool water with fresh water. A build up of by products can damage the electrolytic cell.

6.3 Monthly

1. **Salt Level Test.** Test pool water salt level by depressing the **Salinity** button **C** and reading the LCD located on the front cover of the AquaPure control center. Maintain the ideal range of 3.0-3.5 gpl for optimum performance of the AquaPure. If additional salt is required, follow the procedures and charts described on pages 18 through 21. If salt level does not rise after 24 hours, see Troubleshooting on page 30.
2. **Pool Water Sample.** Take water sample to local pool store for testing.
3. **Total Alkalinity Test.** Test pool water for total alkalinity with a test kit. Adjust according to your pool professional's recommendations. 80-120 PPM NSPI Standard.
4. **Stabilizer (Cyanuric Acid).** Test pool water stabilizer (*cyanuric acid*) level using a test kit or by having a water sample tested by a pool professional. Maintain ideal range of 50-75 PPM. Follow your pool professional's recommendations.
5. **Calcium Hardness.** Test pool water for calcium hardness level using test kit or by having a water sample tested by a pool professional. If necessary, adjust according to your pool professional's recommendations. NSPI standard of 150-400 PPM is recommended.
6. **Metals Test.** It is recommended that the pool water be tested periodically for the presence of metals such as copper, iron, and manganese. These metals should not be present in the pool water. If those metals are present, contact the local pool professional.

6.4 Electrolytic Cell Cleaning - As Needed

1. **Automatic Cleaning.** The control center has an automatic cell cleaning feature (Cell Reversing) that removes scale deposits from the electrolytic cell.

NOTE Automatic Cleaning does not interrupt Chlorine Production.

“Scale” is a white crusty deposit that forms in excessively hard water or from pool water that is out of balance and in a scaling condition. Following the installation of the AquaPure, check the cell once a month for several months. If the cell is clean, replace and re-check at the end of each swimming season. If the cell shows excessive scaling, go on to Step 2, Acid Wash Cleaning.

2. **Acid Wash Cleaning.** If the electrolytic cell has a tendency to scale, it is recommended that every two months the cell be removed and inspected for scale formation and/or debris. Some filters allow debris to pass through to the cell which could lodge between the plates in the cell. A small amount of scale formation is normal. If by looking through the cell it is observed that there is excessive scale formation between the plates or debris is present, the cell must be cleaned as follows:
 - a. Use a high pressure jet of water from a garden hose. If the cell cannot be reasonably cleaned in this manner, acid cleaning is necessary.
 - b. To acid clean the cell, mix one quart of muriatic acid with one gallon of tap water in a plastic bucket. ***Always add acid to the water, never add water to the acid. Always wear eye protection and use rubber gloves. Always work in a well ventilated area.***
 - c. Immerse the cell in the solution. A foaming action will begin, which is caused by scale (calcium carbonate) being dissolved from the plates. If rigorous foaming action does not begin, the cell does not need to be cleaned (***STOP THE CLEANING PROCESS- go on to next step “d”***). Otherwise allow the cell to remain in the solution until the foaming has stopped. ***However, do not leave in acid for more than 1/2 hour. *(Excessive Acid Washing will damage Electrolytic Cell).***
 - d. Rinse the cell thoroughly with clean tap water and inspect. If deposits are still visible, immerse the cell again in the solution for further cleaning. Additional acid may need to be added to the solution.
 - e. Rinse the cell again with clean tap water and inspect. If clean, replace the cell and resume normal operation.
 - f. If the acid wash procedure is necessary, it is recommended that a sample of pool water be analyzed by an authorized AquaPure service representative for excessive hardness and/or improper water balance.
 - g. If no scale or debris deposits are observed in the cell after two bimonthly inspections, it is not necessary to continue bimonthly inspections. However, due to possible changes in pool water chemistry and filtering effectiveness, it is recommended that the cell be removed for inspection at least twice a year.

6.5 Flow/Temp/Salinity Sensor Cleaning

One time per year or as needed. It is rare but scale formations on the Flow/Temp/Salinity Sensor sometimes occur and will affect the accuracy of the salinity test.

1. Remove Flow/Temp/Salinity Sensor from the threaded PVC Tee by turning counterclockwise.
2. Brush with a mildly abrasive green fiber household cleaning pad. Contacts should be clean and bright.
3. Thoroughly rinse the Flow/Temp/Salinity Sensor with clean tap water. Replace and resume normal operation.
4. ***Turn power off and back on in order to recalibrate and reset Flow/Temp/Salinity Sensor. Reset anytime Flow/Temp/Salinity Sensor is unplugged.***

6.6 Winterizing

Very little chlorine is needed in cold water. Below 51 Degrees Fahrenheit chlorine production is not permitted, i.e., operating chlorinator in cold water might allow the pool water to become over chlorinated. If more chlorine should be needed, **activating the “Boost” mode will override this cold water feature allowing chlorine production for 24 hours of operation.** See page 22.

If preventative measures are not taken, freezing water may cause severe damage to the Cell and Flow/Temp/Salinity Sensor. Prevent freeze damage to the Cell and Flow/Temp/Salinity Sensor by running pump continuously or winterize pool by draining water from pump, filter, and all intake and return lines. Remove the cell, clean and store it. Disconnect the Flow/Temp/Salinity Sensor from the control center, then remove it from the threaded PVC Tee. Wrap Flow/Temp/Salinity Sensor in a plastic bag or protective covering and coil Flow/Temp/Salinity Sensor and DC power cord cables around the control center for storage.

An optional Spool Piece (Part Number AZ003) is available to replace the cell during winterizing or cell maintenance. This will enable pool pump to circulate water with the cell out of the of line. See Figure 17.

When a FREEZE CONTROLLER is used on pump equipment and the AquaPure is run through the winter, turn the AquaPure CHLORINE PRODUCTION down to 10 - 20%. Otherwise, chlorine production will exceed the recommended level of 1.0 - 3.0 PPM.

NOTE Above 3.0 PPM may cause corrosion of pool metals and possibly cause damage to associated pool equipment.

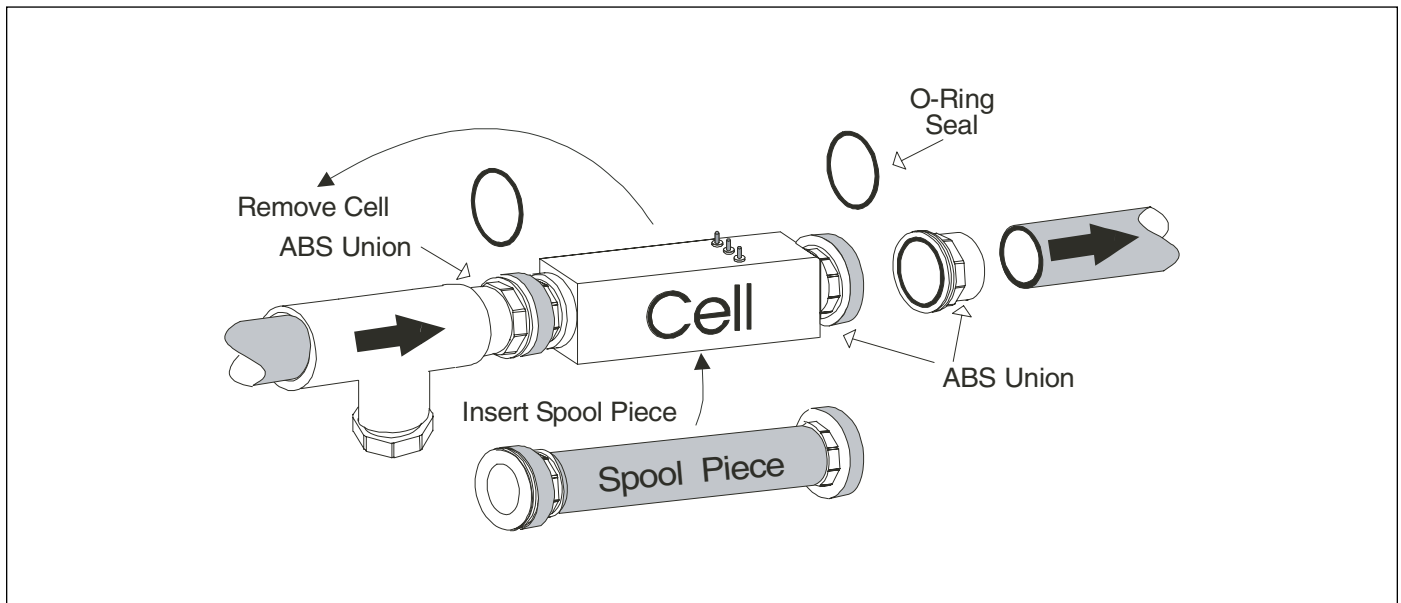


Figure 17. Spool Piece Location

Section 7. Troubleshooting

NOTE: Turn off power to unit prior to attempting service or repair.

7.1 Problems and Corrective Action

| Problem | Possible Cause | Corrective Action |
|---------------------|--|--|
| Low or no chlorine. | Low <i>stabilizer</i> (cyanuric acid) level in pool water. | Add stabilizer to maintain 50 - 75 PPM per pool professional's recommendations. See Stabilizer Chart page 21. |
| | Insufficient operating hours of the AquaPure unit. | Increase the AquaPure operating time per day. See pages 22 through 24. |
| | CHLORINE PRODUCTION percentage set too low or off at 00%. | Increase chlorine production by pressing the Chlorine Production Rate Adjustment button (arrow button B). See page 22. |
| | Recent increases in weather temperature without increasing the chlorine production of your unit. | Increase chlorine production by pressing the Chlorine Production Rate Adjustment button (arrow button B). See page 22. |
| | Temporary loss of chlorine due to heavy organic load - rain, leaves, fertilizer or heavy bather load (Recent party!). Pets using pool. | Set "Boost" mode and allow to run for 24 hours. Recheck. If still too low, Super Chlorinate with outside source. (Take pool water sample to Pool Professional). See pages 22 and 25. |
| | Low (Less than 2.5) gpl salt level in pool water. | Test salinity by pressing the Test Salinity button. See Chart page 20. |
| | High nitrate level. | Contact Pool Professional. |
| | Metals present in pool water. | Contact Pool Professional. |
| | New pool water. Not shocked properly upon startup. | Super Chlorinate Pool. See page 25. |
| | Clogged or dirty cell. | Remove cell for inspection. Clean if necessary. See pages 27 and 28. |

| Problem | Possible Cause | Corrective Action |
|---|---|--|
| No display on LCD (<i>Screen is blank</i>). | No Power to Unit. | Check power. Turn on pump. 1. Defective automatic timer or pump switch. 2. Loose connection at automatic timer or pump switch. |
| | Loose ribbon cable between front and back PC board. | Check that ribbon cable is fully inserted into connector. |
| | Incorrectly wired. Unit not wired for 230 VAC. | Check that unit is correctly wired for 230 VAC and connected to 230 VAC. |
| | Loose or bad connection at white connector between transformer and back PC board. | Check connector at white plug to insure proper connection. If burnt connector contact authorized service representative. |

| Problem | Possible Cause | Corrective Action |
|---------------------------------------|--|---|
| "Cell On" indicator does not come on. | Chlorine Production set to 00%. | Adjust CHLORINE PRODUCTION to desired Percentage. |
| <i>If No Flow also....</i> | Insufficient water flow. Cell is plugged with debris, pump has lost prime. | Remove obstruction and/or clean cell. See Page 27. Prime pump if necessary. |
| <i>If No Flow also....</i> | Flow/Temp/Salinity Sensor not plugged in. | Plug in Flow/Temp/Salinity Sensor. See page 6 Figure 2. |
| | Salt level below 2.0 gpl. | Add salt as described on pages 18 through 20. |

| Problem | Possible Cause | Corrective Action |
|--|---|---|
| "No Flow" indicator stays on continuously. | Pump fails to provide sufficient water flow. | Check for correct operation of the pump, i.e., loss of pump prime or clogged strainer baskets. |
| | Closed valves. | Check and correct all valve alignments. |
| | Dirty filter. | Follow filter cleaning procedures. |
| | Obstruction in the AquaPure cell. | Remove cell for inspection. Follow cleaning procedures. See page 27. |
| | Flow/Temp/Salinity Sensor not installed properly. | Ensure that the Flow/Temp/Salinity Sensor is installed according to page 13 Figure 11. If not, contact a pool professional. |
| | Flow/Temp/Salinity Sensor not plugged in. | Plug Flow/Temp/Salinity Sensor into connector on control center printed circuit board. Turn power to unit off and back on (Cycle Power). See page 6 Figure 2. See also page 28, Section 6.5 step 4. |
| | Flow/Temp/Salinity Sensor elements covered with PVC glue, taped over, or covered with other debris. | Remove and clean Flow/Temp/Salinity Sensor. Wrap Flow /Salinity sensor threads with teflon tape and reinstall. See pages 12 through 14, 27 and 28. |
| | Defective Flow/Temp/Salinity Sensor. | Contact your authorized service representative. |

| Problem | Possible Cause | Corrective Action |
|----------------------|---------------------------------------|--|
| Salt level too high. | Too much salt has been added to pool. | Backwash or partially drain pool and dilute with fresh water until salinity returns to 3.0 gpl to 3.5 gpl. |

| Problem | Possible Cause | Corrective Action |
|-------------------------|--|---|
| "Service" Indicator On. | Low salt level in pool water. | Test salinity. Add salt as described on pages 18 through 20. |
| | Cell requires cleaning. | Refer to Maintenance Procedure for acid wash cleaning. See pages 27 and 28. |
| | Cell not working properly after cleaning | Contact your authorized service representative. |
| | DC power cord not properly connected to the cell. | Check connection. Check for dirt or corrosion around DC cord contacts at Cell. Check Cell studs for same. |
| | Flow/Temp/Salinity Sensor not plugged in. | Plug Flow/Temp/Salinity Sensor into connector on control center printed circuit board. (Cycle Power). |
| | Water temperature too low | Winterize your pool. See page 29. |
| | All the above have been checked and indicator light is still on. | Contact your authorized service representative. |

| Problem | Possible Cause | Corrective Action |
|---------------------|---|--|
| Salt Level Too Low. | Not enough salt added on start up. | Add salt to pool, 3.0 gpl to 3.5 gpl. See pages 18 through 20. |
| | Heavy Rainfall. | Add salt to pool, 3.0 gpl to 3.5 gpl. See pages 18 through 20. |
| | Leak in pool. | Repair pool. |
| | Dirty Flow/Temp/Salinity Sensor contacts or faulty Flow Sensor. | Remove and clean Flow/Temp/Salinity Sensor contacts. Check Flow/Temp/Salinity Sensor cable for damage. See page 28. Verify salinity with Myron "L" meter calibrated for NaCl, titration test units, or other salt meters. Please be aware that salt test strips have a large variance in readings (400 - 800 ppm). |

7.2 Service Codes

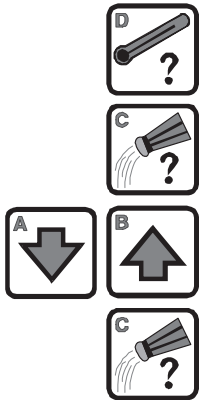
| Code Number | Possible Cause | Corrective Action |
|-------------|---|--|
| 120 | Low current in forward direction to Cell | 1. Clean cell if necessary (see pages 27 and 28) 2. Check DC Cord. |
| 121 | Low current in reverse direction to Cell | 1. Clean cell if necessary (see pages 27 and 28) 2. Check DC Cord. |
| 123 | Extremely Low current to Cell | 1. Clean or replace cell if necessary (see pages 27 and 28) 2. Check DC Cord. |
| 124 | Higher than normal Current to Cell | Contact a pool professional. |
| 125 | Cell needs to be cleaned | Clean cell if necessary (see pages 27 and 28). |
| 126 | Low current in forward direction and VAC input voltage below 100/200 VAC | Contact a pool professional. |
| 127 | Low current in reverse direction and VAC input voltage below 100/200 VAC | Contact a pool professional. |
| 144 | Low Salinity (below 2.0 gpl) | Add salt to pool to achieve 3.0 gpl (see pages 18 through 20). |
| 145 | High Salinity (above 4.5 gpl) | Backwash filter. Partially drain pool and dilute with fresh water until salinity returns to 3.0 to 3.5 gpl. |
| 170 | Possible Front board service condition or unit not correctly wired to 115 VAC | Contact an authorized service representative. |
| 171 | Possible Backboard service condition | Contact an authorized service representative. |
| 172 | Flow Sensor service condition or flow sensor is unplugged | Contact an authorized service representative. |
| 173 | Low VAC input voltage and on board power supply is not regulated or unit not correctly wired. | Unit wired to improper AC voltage. Contact a pool professional. |
| 174 | Pool Temperature is too high for operation of AquaPure | Flow/ Salinity Sensor indicates water temperature at sensor above 108 F. Reduce water temperature. |
| 175 | Flow Sensor air lock condition or very low salinity | Verify proper Flow/Temp/Salinity Sensor installation (see page 13 Figure 11). Check salinity with Myron "L" meter calibrated for NaCl or test strips. Add salt as necessary (see pages 18 through 20). |

7.3 Additional Letter Codes

| Code | Condition | Reason |
|------|-------------------------------|---|
| EC | External Control | ORP unit or external controller has shut off chlorine production |
| Lo | Low Temperature Cutoff | Temperature of Pool is < 50 Deg. F. Chlorine production stopped |
| bo | Boost | In "Boost" mode unit will operate at 100% production for 24 run time hours. |
| HH | High-High | Input has exceeded Maximum Range. |
| JA | AquaLink RS Online | AquaLink RS is controlling the AquaPure and desired output percentages. |
| Jb | Boost (AquaLink RS Interface) | AquaLink RS is controlling the AquaPure and "Boost" is active. |

Section 8. Temperature Conversion

To display Celsius or Fahrenheit on the digital display.



1. Press and hold button **D** for 15 seconds (third beep).
2. Within 5 seconds, momentarily press **C** to enter the Fahrenheit/Celsius change mode.
3. To toggle between Celsius and Fahrenheit, press **A** or **B**.
4. Confirm by momentarily pressing **C**. The change will be stored in permanent memory.

NOTE: The Boost mode will normally be activated if the Boost button **D** is depressed for 10 seconds. However, if button **D** is held down an additional 5 seconds (for the third beep), the state of the Boost mode will not be changed.

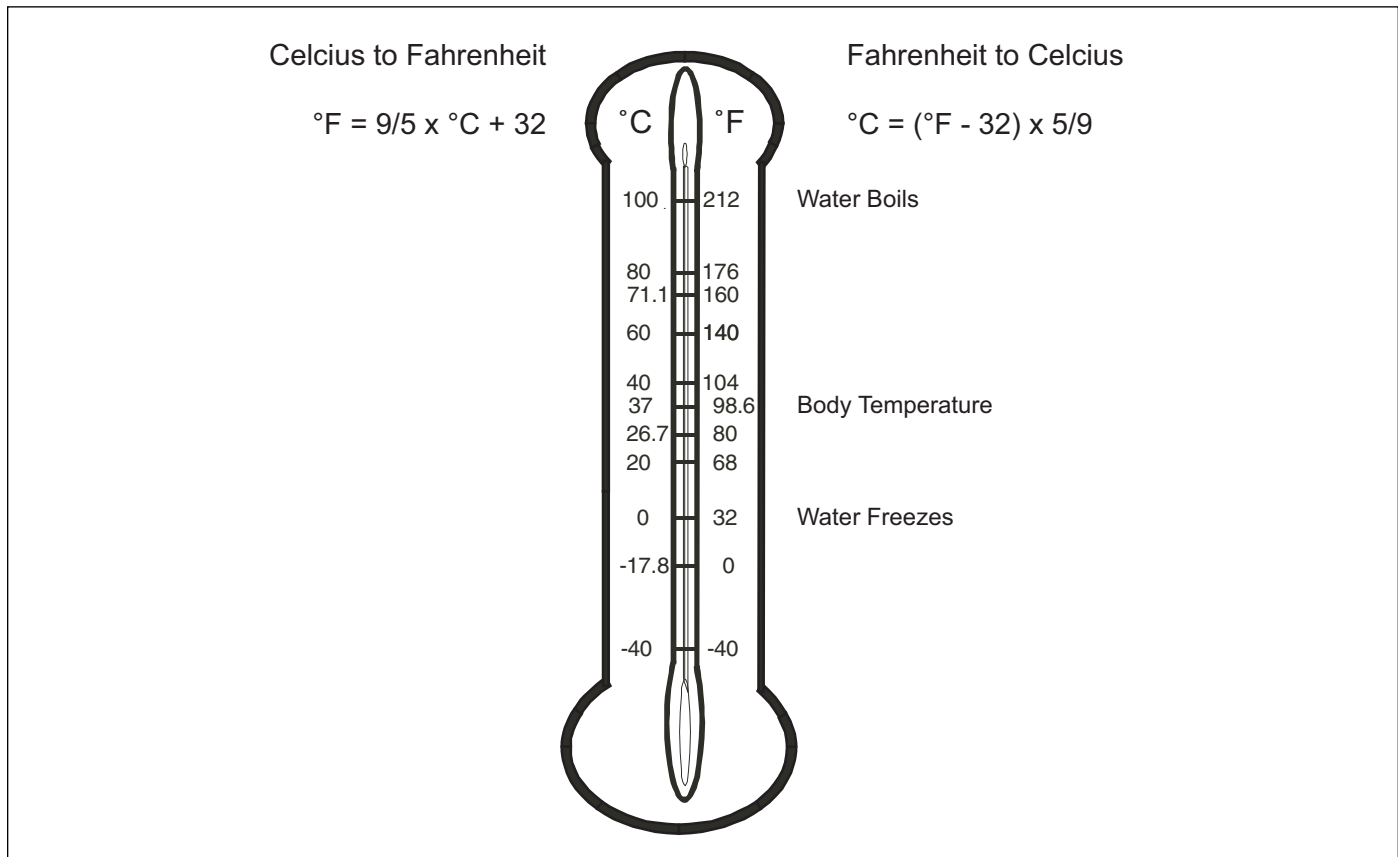


Figure 18. Temperature Conversion Chart

Section 9. PURE700 and PURE1400 Exploded Views and Replacement Kits

9.1 Control Center Replacement Parts

| Dwg. # | Kit # | Description | Qty. |
|--------|----------|--|------|
| 1 | R0402900 | Control Box Complete, PURE700 | 1 |
| | R0403000 | Control Box Complete, PURE1400 | 1 |
| 2 | R0403100 | Control Box Cover, PURE700 | 1 |
| | R0403200 | Control Box Cover, PURE1400 | 1 |
| 3 | R0404300 | Control Box Decal, Top | 1 |
| 4 | R0404400 | Control Box Decal, Bottom | 1 |
| 5 | R0403900 | PCB, Front LED, All Models, Rev. B10038-01 | 1 |
| 6 | T1005 | Transformer, 50/60Hz | 1 |
| 7 | R0404000 | PCB, Back, PURE700 | 1 |
| | R0404100 | PCB, Back, PURE1400 | 1 |
| 8 | M1033 | Strain Relief, Power | 1 |
| 9 | M1034 | Strain Relief, Data | 1 |
| 10 | AZ008 | Mounting Hardware Kit | 1 |

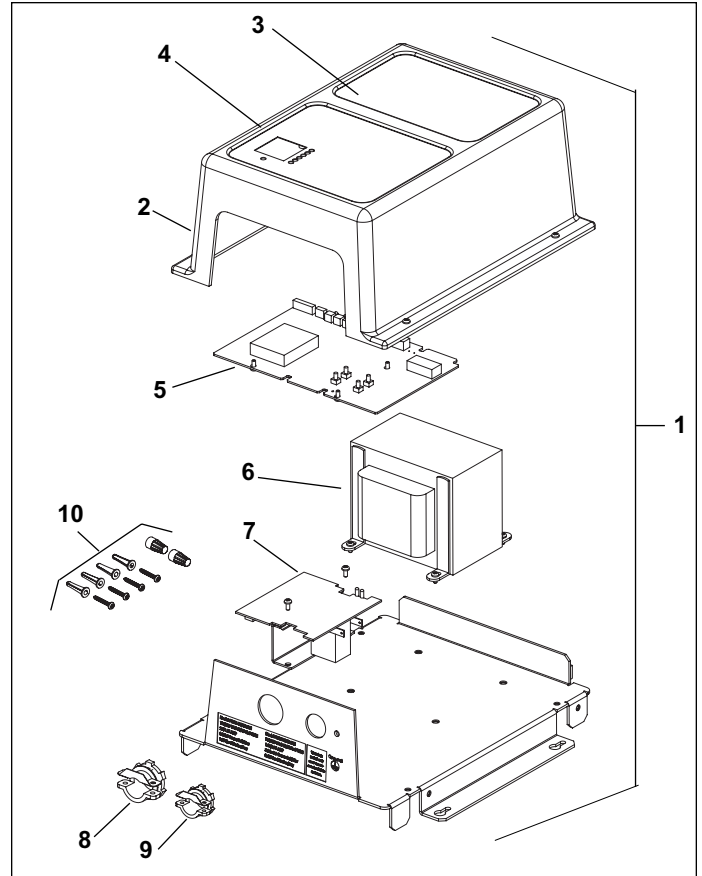


Figure 19. Control Center

9.2 Electrolytic Cell Replacement Parts

| Dwg. # | Kit # | Description | Qty. |
|--------|----------|---------------------------------|------|
| 11 | R0403300 | Cell w/ 8' DC Cable, PURE700 | 1 |
| | R0403400 | Cell w/ 16' DC Cable, PURE700 | 1 |
| | R0403500 | Cell w/ 8' DC Cable, PURE1400 | 1 |
| | R0403600 | Cell w/ 16' DC Cable, PURE1400 | 1 |
| 12 | R0402700 | 8' Cable, DC | 1 |
| | R0402800 | 16' Cable, DC | 1 |
| 13 | AZ009 | Tee w/O-ring, Sensor | 1 |
| 14 | P11019 | Union Half, 1½" Threaded Socket | 1 |
| 15 | P11024 | Union O-ring, 1½" | 1 |
| 16 | AZ003 | Spool Piece, (Optional) | 1 |

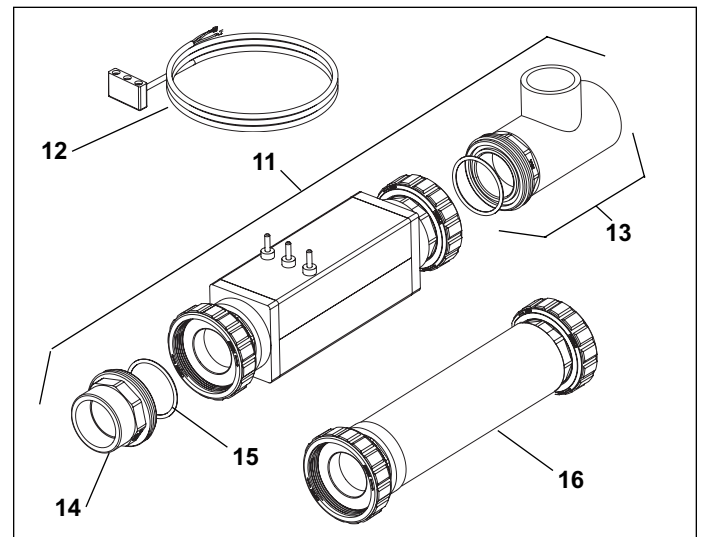


Figure 20. Electrolytic Cell and DC Cable

9.3 Flow Sensor Replacement Parts

| Dwg. # | Kit # | Description | Qty. |
|--------|----------|--------------------------|------|
| 17 | R0403700 | Flow Sensor w/ 8' cable | 1 |
| | R0403800 | Flow Sensor w/ 16' cable | 1 |

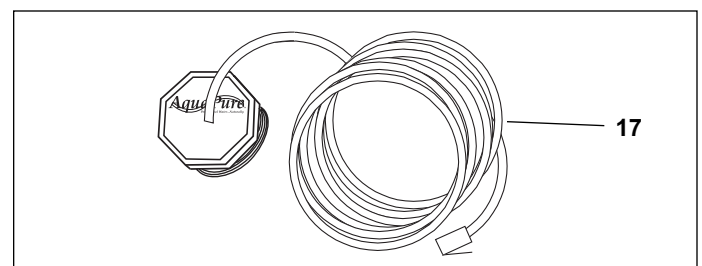


Figure 21. Flow Sensor and Cable

LIMITED WARRANTY

Thank you for purchasing Jandy® pool and spa products. Waterpik Technologies (manufacturer of Jandy products, including Laars® pool and spa heaters, Air Energy Heat Pumps, and Clormatic Electronic Chlorine Generators) warrants all parts to be free from manufacturing defects in materials and workmanship for a period of one year from the date of retail purchase, with the following exceptions:

- AquaLink® RS units installed with Jandy Surge Protection Kits will be covered for two years.
- NeverLube® valves are warranted for the life of pool and/or spa on which they were originally installed.
- AquaPure™ Electronic Chlorine Generator Electrolytic Cells carry a 5 year limited warranty on a prorated basis.

This warranty is limited to the first retail purchaser, is not transferable, and does not apply to products that have been moved from their original installation sites. The liability of Waterpik Technologies shall not exceed the repair or replacement of defective parts and does not include any costs for labor to remove and reinstall the defective part, transportation to or from the factory, and any other materials required to make the repair. This warranty does not cover failures or malfunctions resulting from the following:

1. Failure to properly install, operate or maintain the product(s) in accordance with our published Installation, Operation and Maintenance Manuals provided with the product(s).
2. The workmanship of any installer of the product(s).
3. Not maintaining a proper chemical balance in your pool and/or spa [pH level between 7.2 and 7.8, Total Alkalinity (TA) between 80 to 120 ppm, Total Dissolved Solids (TDS) less than 2000 not including salt ppm].
4. Abuse, alteration, accident, fire, flood, lightning, rodents, insects, negligence or acts of God.
5. Scaling, freezing, or other conditions causing inadequate water circulation.
6. Operating the product(s) at water flow rates outside the published minimum and maximum specifications.
7. Use of non-factory authorized parts or accessories in conjunction with the product(s).
8. Chemical contamination of combustion air or improper use of sanitizing chemicals, such as introducing sanitizing chemicals upstream of the heater and cleaner hose or through the skimmer.
9. Overheating; incorrect wire runs; improper electrical supply; collateral damage caused by failure of O-Rings, DE grids, or cartridge elements; or damage caused by running the pump with insufficient quantities of water.

LIMITATION OF LIABILITY:

This is the only warranty given by Waterpik Technologies. No one is authorized to make any other warranties on Waterpik Technologies' behalf. **THIS WARRANTY IS IN LIEU OF ALL OTHER WARRANTIES, EXPRESSED OR IMPLIED, INCLUDING BUT NOT LIMITED TO ANY IMPLIED WARRANTIES OF FITNESS FOR A PARTICULAR PURPOSE AND MERCHANTABILITY. WATERPIK TECHNOLOGIES EXPRESSLY DISCLAIMS AND EXCLUDES ANY LIABILITY FOR CONSEQUENTIAL, INCIDENTAL, INDIRECT OR PUNITIVE DAMAGES FOR BREACH OF ANY EXPRESSED OR IMPLIED WARRANTY.** This warranty gives you specific legal rights. You may also have other rights which vary by state or province.

WARRANTY CLAIMS:

For prompt warranty consideration, contact your dealer and provide the following information: proof of purchase, model number, serial number and date of installation. The installer will contact the factory for instructions regarding the claim and to determine the location of the nearest designated service center. If the dealer is not available, you can locate a service center in your area by visiting www.jandy.com or by calling our technical support department at (707) 776-8200 extension 260. All returned parts must have a Returned Material Authorization number to be evaluated under the terms of this warranty.

H0567500E
LI4011 Rev 5

The Jandy logo features the word "Jandy" in a large, stylized serif font. Below the letters "y" and "d", there are three curved lines that resemble water ripples or a stylized wave.

ETL LISTED
CONFORMS TO
UL STD 1081
CERTIFIED TO
CAN/CSA C22.2 NO. 218.1



A Waterpik Technologies Company

6000 Condor Drive • Moorpark, CA USA 93021 • 707.776.8200 • Fax 707.763.7785
480 S. Service Road West • Oakville, Ontario, Canada L6K 2H4 • 905.844.8233 • Fax 905.844.2635

Litho in U.S.A. © Water Pik Technologies 0501